

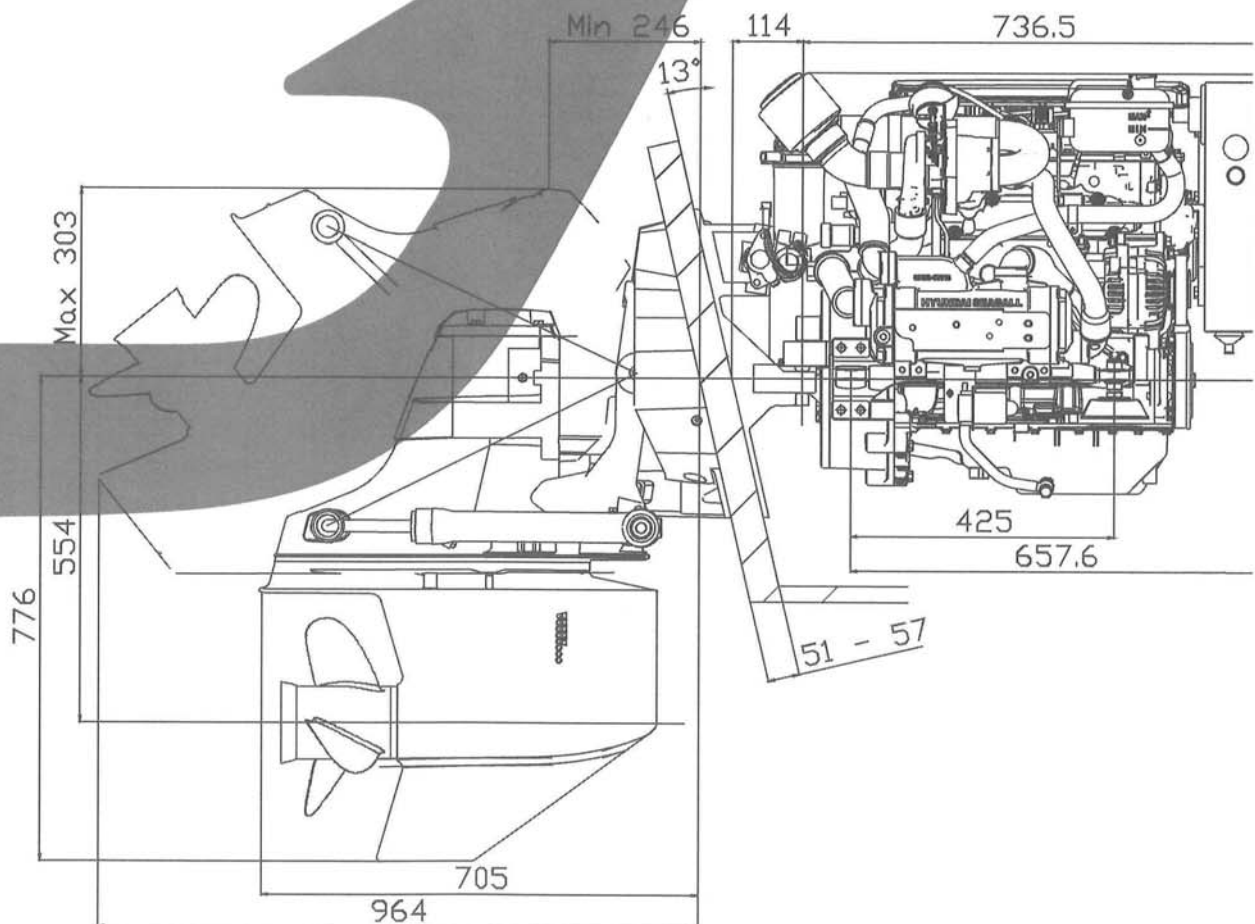
HYUNDAI SEASALL

INSTALLATION & OPERATION MANUAL U125 SERIES ENGINES



powering **marine** safety

Aabenraavej 13-17, DK - 6340 Krusaa, Denmark
Tel: +45 74 62 20 88
Fax +45 74 62 74 07
E-mail: bukh@bukh.dk - Internet: www.bukh.dk



Applicable to U125S, U125P, U125J model



TABLE OF CONTENTS

ABOUT THIS MANUAL 3

SAFETY PRECAUTIONS..... 4

APPROXIMATE CONVERSIONS FROM STANDARD..... 5

CHAPTER 1 ENGINE OVERVIEW 6

 1. ENGINE COMPONENTS 6

 2. ENGINE SUSPENSION..... 7

 3. ENGINE IDENTIFICATION 8

 4. SCHEMATIC DIAGRAM OF COMMON RAIL DIESEL ENGINE 10

 5. TECHNICAL DATA 11

 6. PERFORMANCE CURVE 13

 7. BELT LAYOUT & ENGINE DIMENSIONS..... 14

CHAPTER 2 ENGINE MOUNT SYSTEM 16

 1. ENGINE MOUNTING REQUIREMENTS 16

 2. MOUNT DIMENSIONS 16

 3. ENGINE MOUNT TOOL FOR STERNDRIVE MODEL 17

CHAPTER 3 COOLING & EXHAUST SYSTEM 18

 1. SCHEMATIC DIAGRAM OF ENGINE COOLING CIRCUIT 18

 2. THE FLOW OF SEAWATER 19

 2.1 WATER PICKUP 19

 2.2 SEAWATER STRAINER 19

 2.3 SEAWATER PUMP 20

 2.4 SEAWATER DRAIN 22

 3. THE FLOW OF ENGINE COOLANT 23

 3.1 ENGINE COOLANT 25

 3.2 REMOVING AIR BUBBLE 25

 3.3 CABIN HEATER CONNECTION 26

 4. EXHAUST SYSTEM 27

CHAPTER 4 FUEL SYSTEM 28

 1. THE FLOW OF FUEL 28

 2. LOW PRESSURE FUEL LINE 29

 3. ACCELERATION SENSOR AND CONTROL LEVER 30

 4. RECOMMENDED FUEL QUALITY 31

 5. DRAINING WATER FROM FUEL FILTER 31

CHAPTER 5 AIR INTAKE SYSTEM 31

 1. ENGINE ROOM VENTILATION 32

 2. AIR FILTER MAINTENANCE 33

CHAPTER 6 LUBRICATION SYSTEM 33

 1. ENGINE OIL LEVEL CHECKS 33

 2. RECOMMENDED OIL QUALITY 34

 3. ENGINE OIL EXTRACTION PUMP 34

 4. OIL FILTER REPLACEMENT 35



TABLE OF CONTENTS

CHAPTER 7 ELECTRICAL SYSTEM 35

1. BATTERY CABLE CONNECTIONS 35

2. BATTERY CHECKS 36

3. FUSE AND RELAY 37

CHAPTER 8 INSTRUMENT SYSTEM 39

1. INSTRUMENTS CONNECTION 39

2. CUT-OUT FOR GAUGE 42

3. CUT-OUT FOR EOI SYSTEM 42

CHAPTER 9 EOI SYSTEM 43

1. OVERVIEW OF EOI SYSTEM 43

1.1 INFORMATION LCD ITEM 43

1.2 SWITCHES 44

1.3 ALARM LAMPS 44

2. EOI CONNECTIONS 45

3. EOI PIN ASSIGNMENT 46

4. NEUTRAL SWITCH AND DUAL EOI CONNECTION 48

5. TRIM WIRING CONNECTION DIAGRAM 49

6. G-SCAN..... 50

7. ALARM AND DTC(DIAGNOSIS TROUBLE CODE) 51

7.1 ALARM AND DTC(DIAGNOSIS TROUBLE CODE) 51

7.2 DTC(DIAGNOSIS TROUBLE CODE) LIST..... 54

CHAPTER 10 ANTI CORROSION SYSTEM 59

CHAPTER 11 ENGINE OPERATION 60

1. ENGINE ON/OFF 60

2. ENGINE BRAKE IN..... 61

3. EMERGENCY STOP 62

CHAPTER 12 ENGINE STORAGE 63

WINTER STORAGE..... 64

CHAPTER 13 MAINTENANCE 65

1. THE INITIAL RUNNING CHECK..... 65

2. MAINTENANCE SCHEDULE 66

3. STERNDRIVE & TRANSMISSION MAINTENANCE SCHEDULE ... 66

4. MAINTENANCE LOG..... 67

CHAPTER 14 TROUBLESHOOTING GUIDE 69

CHAPTER 15 WARRANTY 71

WARRANTY REGISTRATION CARD 76



ABOUT THIS MANUAL

This engine installation and operation manual is provided as guidance for the installation of Hyundai SeasAll engine in a boat, and to describe engine operation. Its purpose is to provide technical information to aid in performing an effective engine installation so as to achieve both maximum performance and service life. For information on installation, operation and maintenance of the ZF Marine Transmissions and Sterndrive Bravo Models, please see the separate booklets included in the original packaging of your Hyundai SeasAll purchase.

Hyundai SeasAll is committed to making clear and accurate information available for those who maintain, own and repair the U125 Series engines. Hyundai SeasAll values your input regarding revisions and additional information for our manuals.

- The manufacturer is not liable for any damages or losses caused by faulty installation, wrong handling of the equipment and/or deficient maintenance.
- The operator is responsible for the correct and safe operation of the engine and safety of its occupants and general public.
- It is strongly recommended that each operator read and understand this manual before installing and operating the engine.
- This manual as well as safety labels posted on the engine use the following safety alerts to draw your attention to special safety instructions that should be followed.



WARNING

DEVIATION FROM INSTALLATION INSTRUCTIONS AND OPERATION GUIDELINES MAY LEAD TO PERSONAL INJURY OR DEATH TO OPERATORS AND NEARBY PERSONNEL.



CAUTION

DEVIATION FROM INSTALLATION INSTRUCTIONS AND OPERATION GUIDELINES MAY LEAD TO IMPROPER OPERATION, DAMAGE OR DESTRUCTION OF THE ENGINE.



SAFETY PRECAUTIONS

- Read and understand this operator's manual as well as other information supplied by Hyundai SeasAll for safe use of these products. Be sure to check your engine regularly.
- Do not use the engine for a purpose other than what is intended by Hyundai SeasAll. Do not modify the performance of the supplied engine without the express permission of Hyundai SeasAll. This can be dangerous, can shorten the life of your engine and can invalidate your warranty.
- Original and genuine parts supplied from Hyundai SeasAll must be used for inspections and maintenance. Hyundai SeasAll does not guarantee any damage caused by the use of imitation parts.
- Engine inspection and maintenance should be carried out by properly trained and factory approved service engineers.
- The engine should be inspected if the electronic engine control unit shuts down the engine.

HOT SURFACES AND FLUIDS

- There is always a risk of burns when working with a hot engine. Be aware of hot parts like the turbocharger system, the exhaust system, hot coolant hoses, etc. Wait until the engine is fully cool to do inspection and maintenance.

REFUELING

- Refuel only after the engine completely stops.
- Use only the recommended fuel. The wrong grade of fuel can cause operating problems, can cause the engine to stop and can cause engine damage.
- Pay special attention to safe practices when refueling.

PAINT DAMAGE

- Damage of the engine or parts paint during maintenance and inspection can cause corrosion. Any damage must be repainted after inspection and maintenance.

WELDING ON ENGINE

- Welding directly on the engine block can cause damage to the engine control systems. The ECU and related electronic devices must be disconnected and removed if unavoidable welding is needed.



INSTALLATION & OPERATION MANUAL

U125 Series Engines

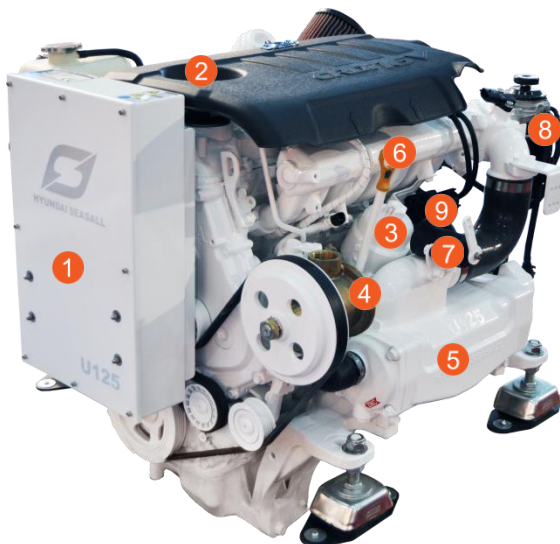
APPROXIMATE CONVERSIONS FROM STANDARD

	SYMBOL	MULTIPLY BY	SYMBOL		SYMBOL	MULTIPLY BY	SYMBOL
LENGTH	mm	0.039	inch	LENGTH	inch	25.4	mm
	cm	0.4	inch		inch	2.54	cm
	m	3.28	ft		ft	0.3048	m
AREA	mm ²	0.0016	in ²	AREA	in ²	645.2	mm ²
	m ²	10.764	ft ²		ft ²	0.093	m ²
VOLUME	cm ³	0.061	in ³	VOLUME	in ³	16.388	cm ³
	mL	0.06	in ³		in ³	16	mL
	Ldm ³	61.023	in ³		in ³	0.016	Ldm ³
	Ldm ³	0.22	imp.gallon		imp.gallon	4.545	Ldm ³
	Ldm ³	0.264	U.S.gallon		U.S.gallon	3.785	Ldm ³
	m ³	0.76	yd ³		yd ³	1.3	m ³
	m ³	35.315	ft ³		ft ³	0.028	m ³
FORCE	kgf	2.204	lbf	FORCE	lbf	0.453	kgf
	N	0.224	lbf		lbf	4.448	N
TEMP.	°F=9/5x°C+32			TEMP.	°C=5/9x(°F-32)		
PRESSURE	Bar	14.5	psi	PRESSURE	psi	0.068	Bar
	MPa	145	psi		psi	0.0068	MPa
	Pa	0.102	mmWc		mmWc	9.807	Pa
	Pa	0.004	inWc		inWc	249.098	Pa
	KPa	4	inWc		inWc	0.249	KPa
	mWg	39.37	inWc		inWc	0.025	mWg
TORQUE	Nm	0.738	lbf ft	TORQUE	lbf ft	1.356	Nm
WEIGHT	kg	2.205	lb	WEIGHT	lb	0.454	kg
	kg	35.273	oz		oz	0.028	kg
WORK	kJ/kWh	0.43	BTU/lb	WORK	BTU/lb	2.326	kJ/kWh
	MJ/kg	430	BTU/lb		BTU/lb	0.0023	MJ/kg
	kJ/kg	0.24	Kcal/kg		Kcal/kg	4.184	kJ/kg
ENERGY	kJ/kg	0.697	BTU/hph	ENERGY	BTU/hph	1.435	kJ/kg
FUEL CONSUMP.	g/kWh	0.736	g/hph	FUEL CONSUMP.	g/hph	1.36	g/kWh
	g/kWh	0.0016	lb/hph		lb/hph	616.78	g/kWh
FLOW RATE (GAS)	m ³ /h	0.588	ft ³ /min	FLOW RATE (GAS)	ft ³ /min	1.699	m ³ /h
FLOW RATE (LIQUID)	m ³ /h	4.403	US gal/min	FLOW RATE (LIQUID)	US gal/min	0.2271	m ³ /h
SPEED	m/s	3.281	ft/s	SPEED	ft/s	0.3048	m/s
	kph	0.539	knots		knots	1.852	kph
	mph	0.869	knots		knots	1.1508	mph
	kph	0.62	mph		mph	1.61	kph

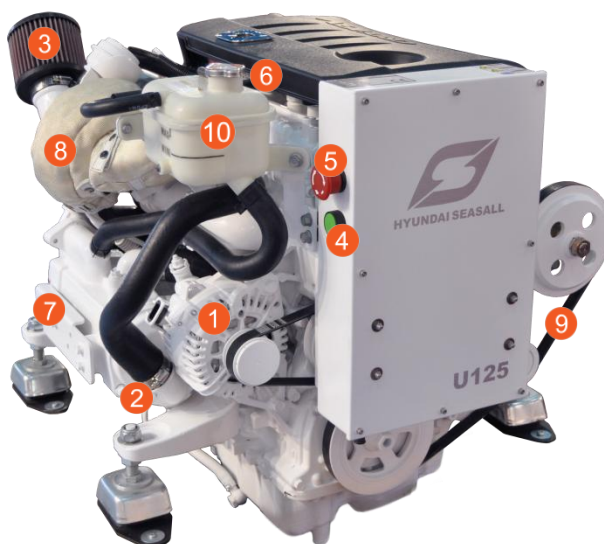
CHAPTER 1

ENGINE OVERVIEW

1.ENGINE COMPONENTS



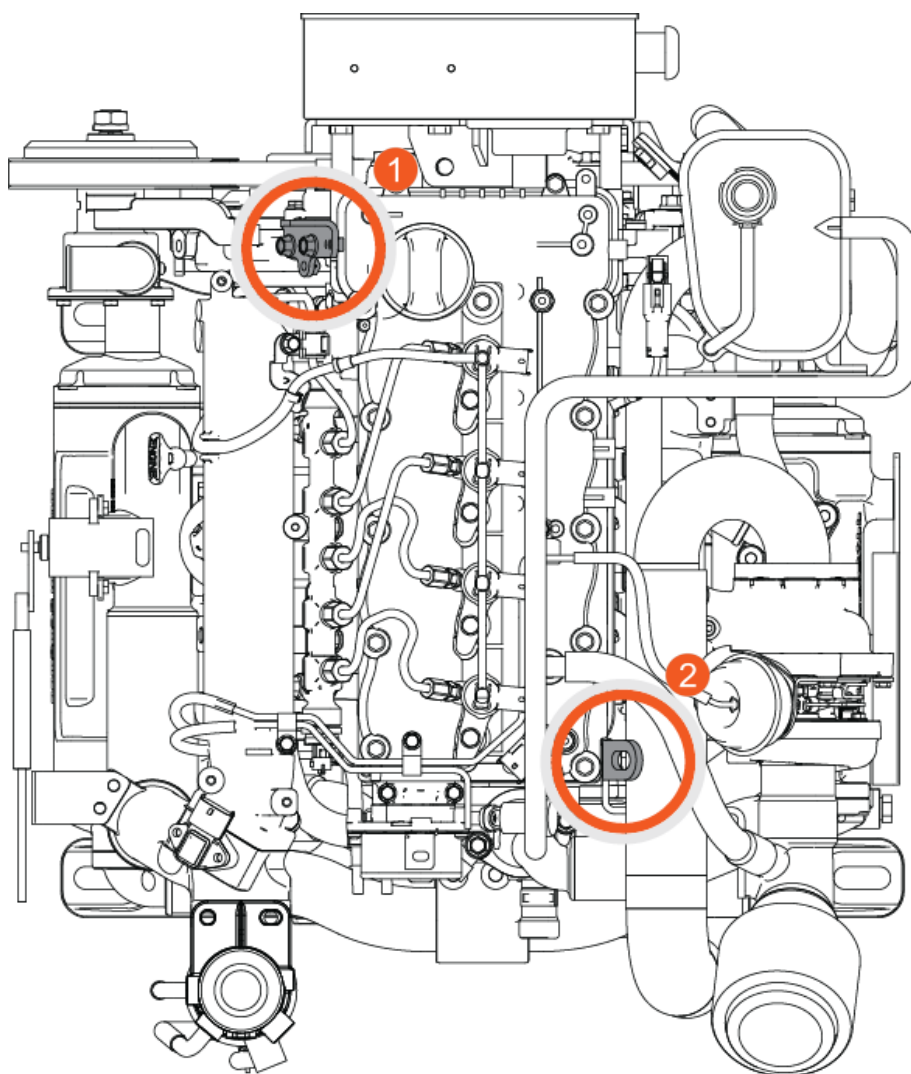
- | | |
|---------------------|-----------------------------|
| 1 ECU Box | 6 Engine Oil Gauge |
| 2 Engine Oil Cap | 7 Acceleration Lever Sensor |
| 3 Engine Oil Filter | 8 Fuel Filter |
| 4 Seawater Pump | 9 VGT |
| 5 Intercooler | |



- | | |
|--------------------------------|---------------------------|
| 1 Alternator | 6 Injector |
| 2 Oil Extraction Pump | 7 Shift Plate |
| 3 Air Filter | 8 Turbo Heat Protector |
| 4 Engine Oil Exchange Button | 9 Belt-Drive |
| 5 Engine Emergency Stop Button | 10 Coolant Expansion Tank |

2.ENGINE SUSPENSION

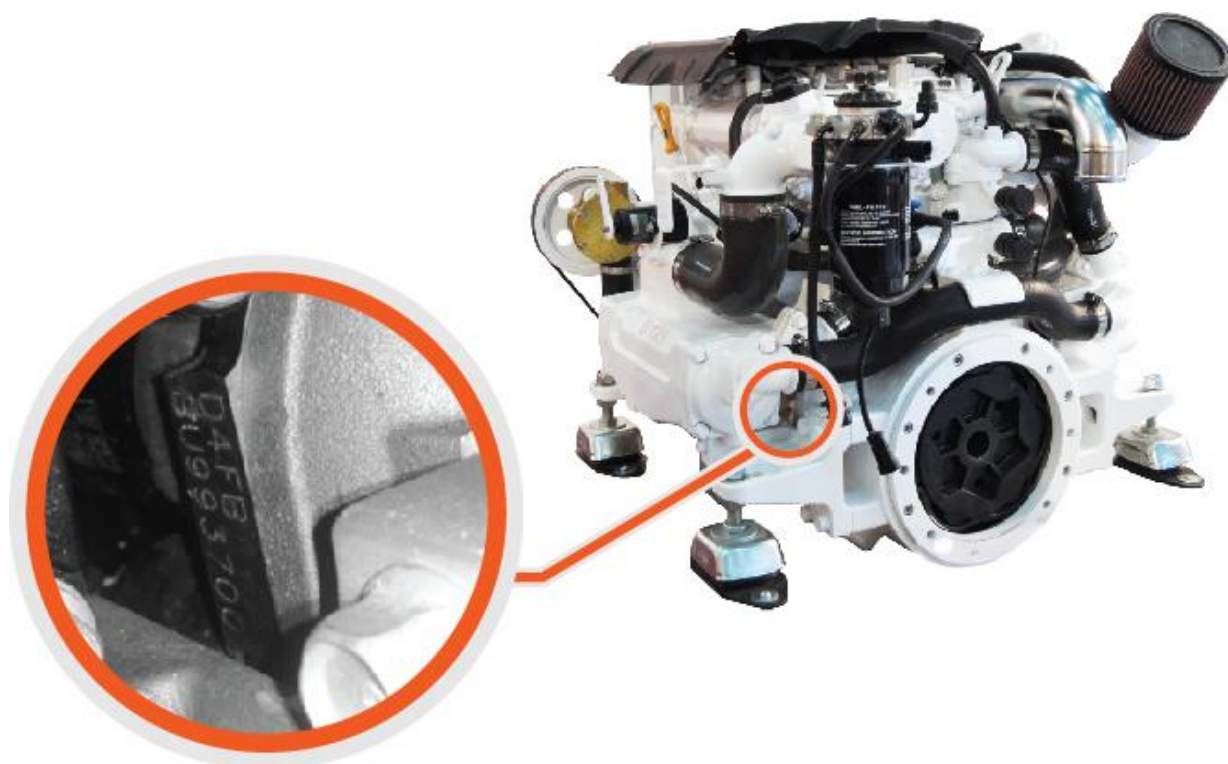
- To lift the engine, first remove the engine cover. You will find two engine eyes (see figure)
- To avoid engine damage, take care that engine lift chains or belts do not hit or touch surrounding parts during engine lifting.




3.ENGINE IDENTIFICATION


Engine identification is affixed to the engine block and the ECU box (see figure).

- SERIAL NUMBER ON THE ENGINE BLOCK



- ENGINE NAME PLATE

 HYUNDAI SEASALL Hyundai SeasAll Co., Ltd.	
Engine Type	U125
Engine Family	D4FB
Rated Power	125ps/4000rpm
Engine Weight	220kg
Max RPM	4400
No. of cylinders	4
Cylinder bore (mm)	77.2
Piston stroke (mm)	84.5
Engine Serial No.	BU993700

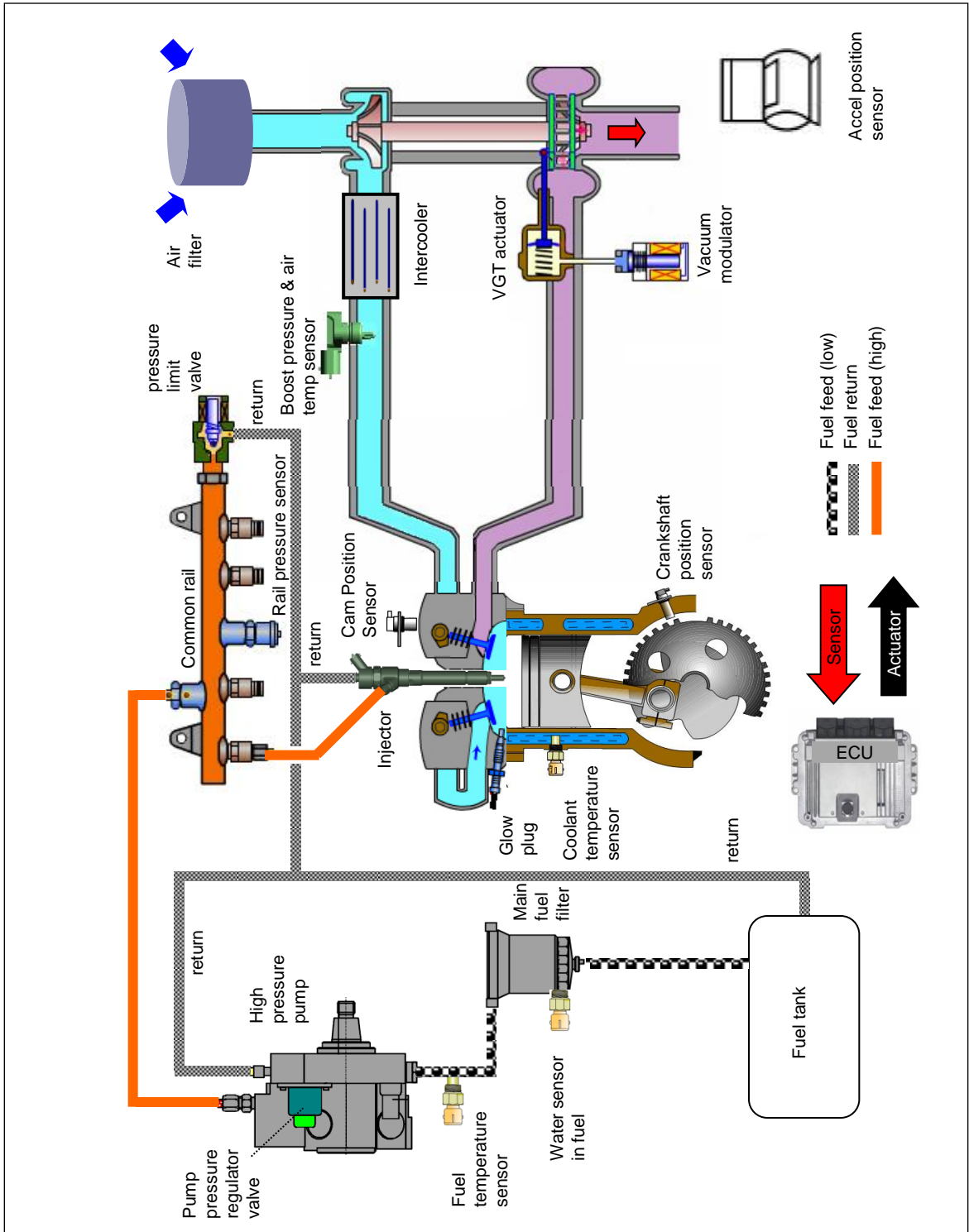




INSTALLATION & OPERATION MANUAL

U125 Series Engines

4. SCHEMATIC DIAGRAM OF COMMON RAIL DIESEL ENGINE





INSTALLATION & OPERATION MANUAL

U125 Series Engines

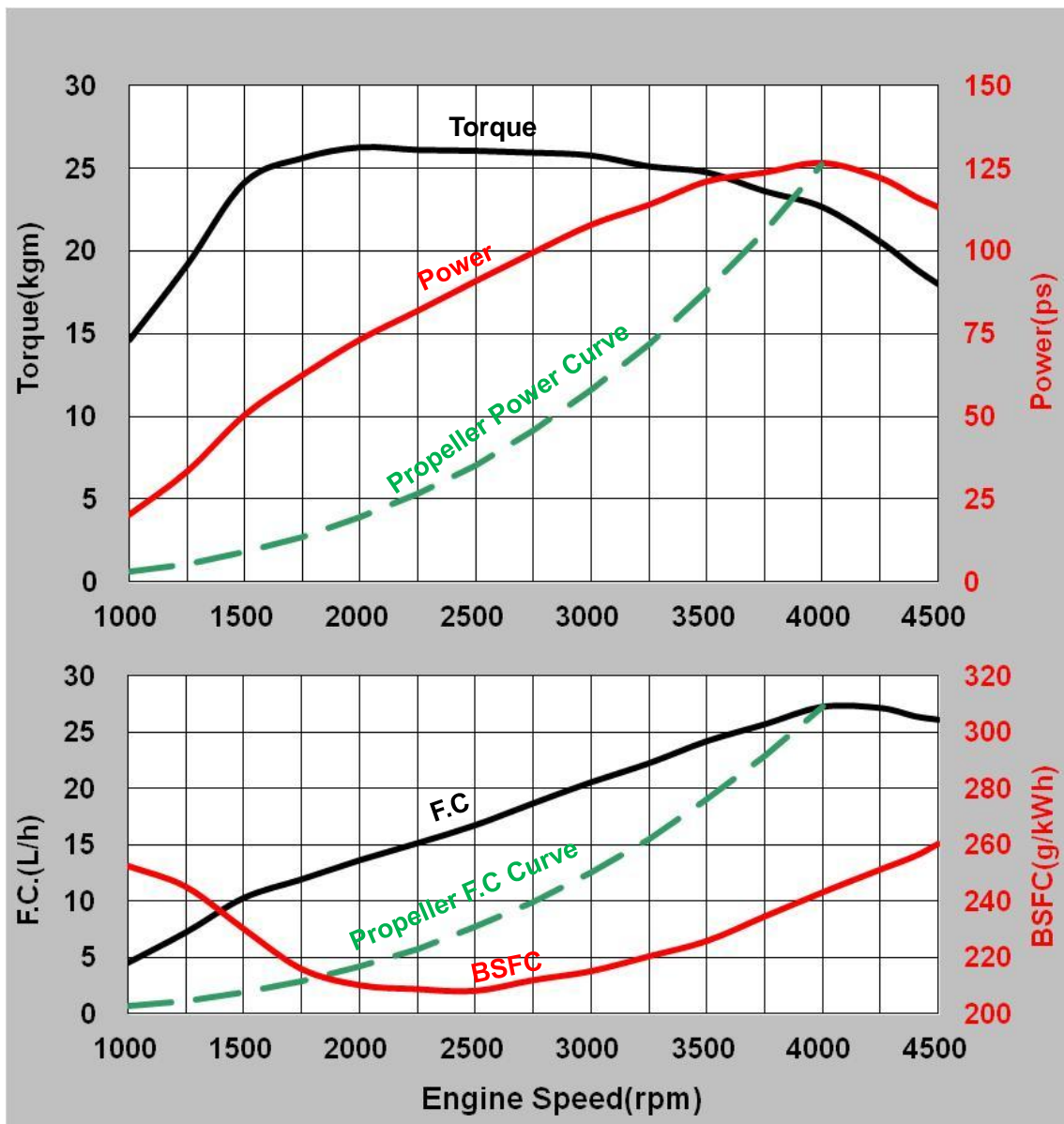
5. TECHNICAL DATA

	U125S	U125P	U125J
Engine type	4-stroke, 16-valve		
	After-cooled, direct-injection, water cooling		
Output ps (kW)	125ps (93)		
rpm at full load	4000		
Cylinders	In-line 4		
Ignition sequence	1-3-4-2		
Displacement [cm ³]	1,582		
Bore [mm]	77.2		
Stroke [mm]	84.5		
Compression ratio	17.3 : 1		
Max. torque [kgm] @ speed [rpm]	26.3		23.5
	2000		3700
Injection system	Common rail direct injection		
Diesel fuel	at least CN 51 as per DIN EN 590		
Intake air pressure (abs. bar) @ speed [rpm]	2.5 bar @ 4000 rpm		
Coolant quantity (liter)	5.5		
Coolant cap opening pressure (bar)	1.1		
Engine oil (liter)	5.7		
Engine oil pressure (bar)	2~3 at 1800rpm, 100 °C (oil temp.)		
Exhaust gas pressure (kPa)	Max. 45		
Alternator [A]	130		
Engine diagnosis	Yes		
Weight (kg)	220		
Battery capacity (AH)	12V, 150AH recommended		
Thermostat opening temp. (°C)	85 (starting to open), 95 (fully open)		
Idle rpm warmed up (rev/min)	730		
Permissible eng. oil temp (°C)	135		
Permissible eng. coolant temp (°C)	105		
Propulsion system	Sterndrive	Shaftdrive	Waterjet



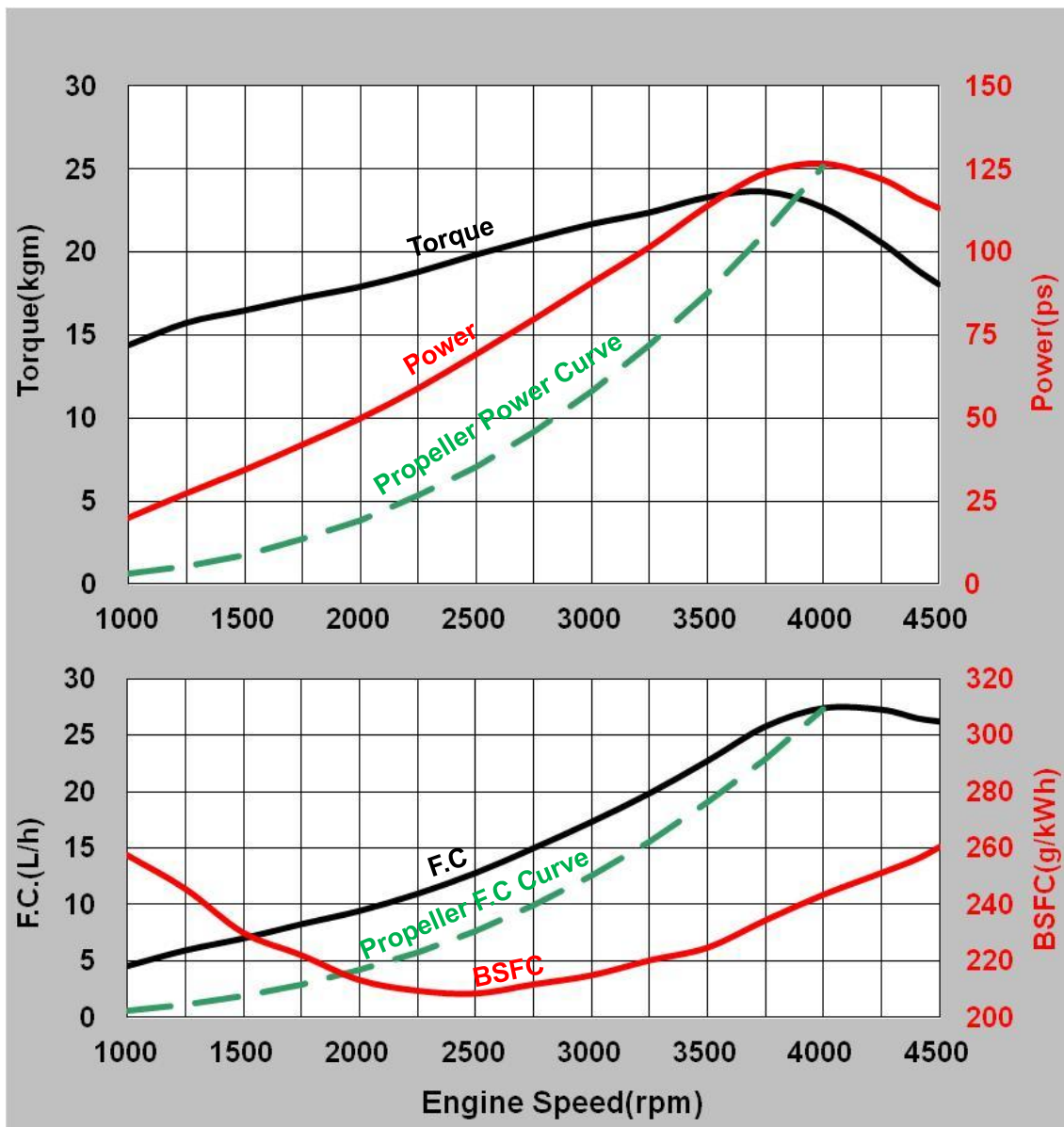
6.PERFORMANCE CURVE

▪U125S & U125P MODEL



*BSFC : Brake Specific Fuel Consumption *FC : Fuel Consumption

▪U125J MODEL



*BSFC : Brake Specific Fuel Consumption *FC : Fuel Consumption

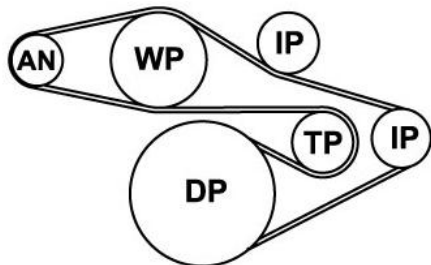


INSTALLATION & OPERATION MANUAL

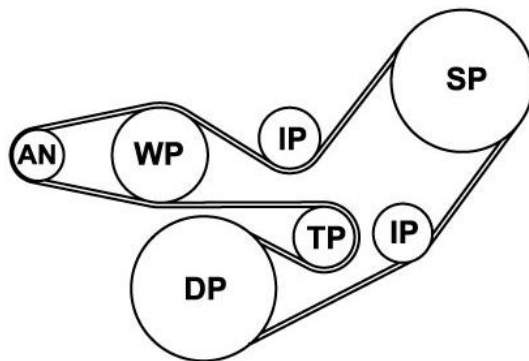
U125 Series Engines

7. BELT LAYOUT & ENGINE DIMENSIONS

▪ V-RIBBED BELT LAYOUT

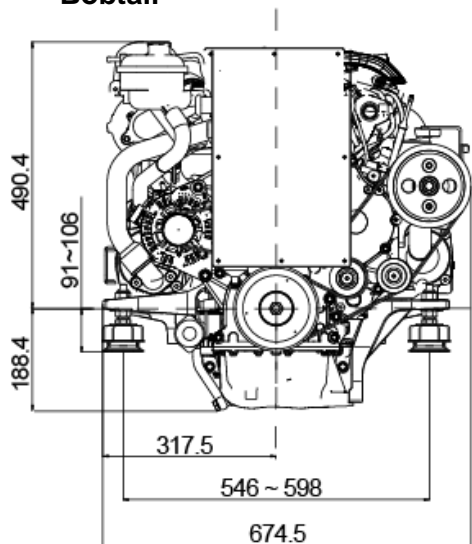


MODEL : U125 (WITHOUT SP)	
AN	ALTERNATOR
DP	DRIVE PULLEY
IP	IDLER PULLEY
TP	TENSIONER PULLEY
WP	WATER PUMP PULLEY

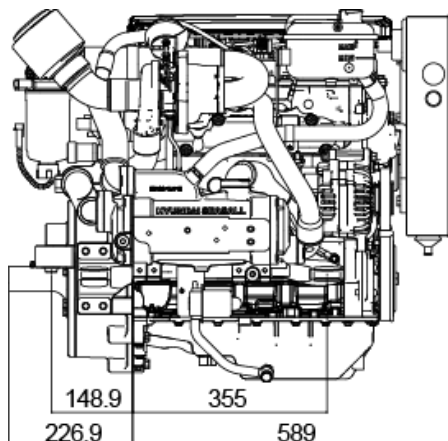


MODEL : U125 (WITH SP)	
AN	ALTERNATOR
DP	DRIVE PULLEY
IP	IDLER PULLEY
TP	TENSIONER PULLEY
WP	WATER PUMP PULLEY
SP	SEA-WATER PUMP

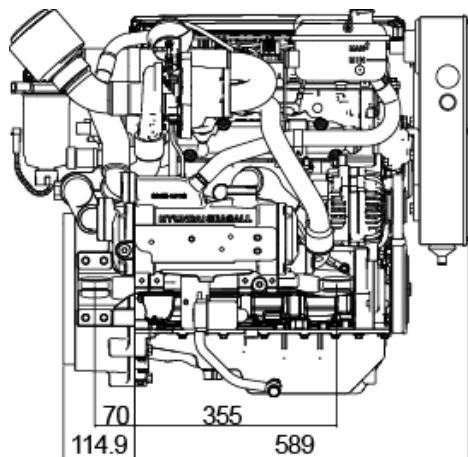
▪ Bobtail



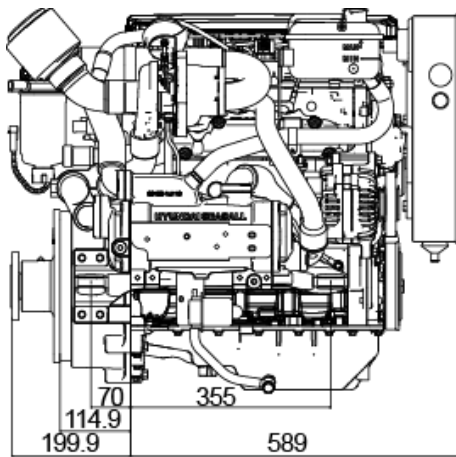
Front view



Side view [for sterndrive]



Side view [for shaftdrive]



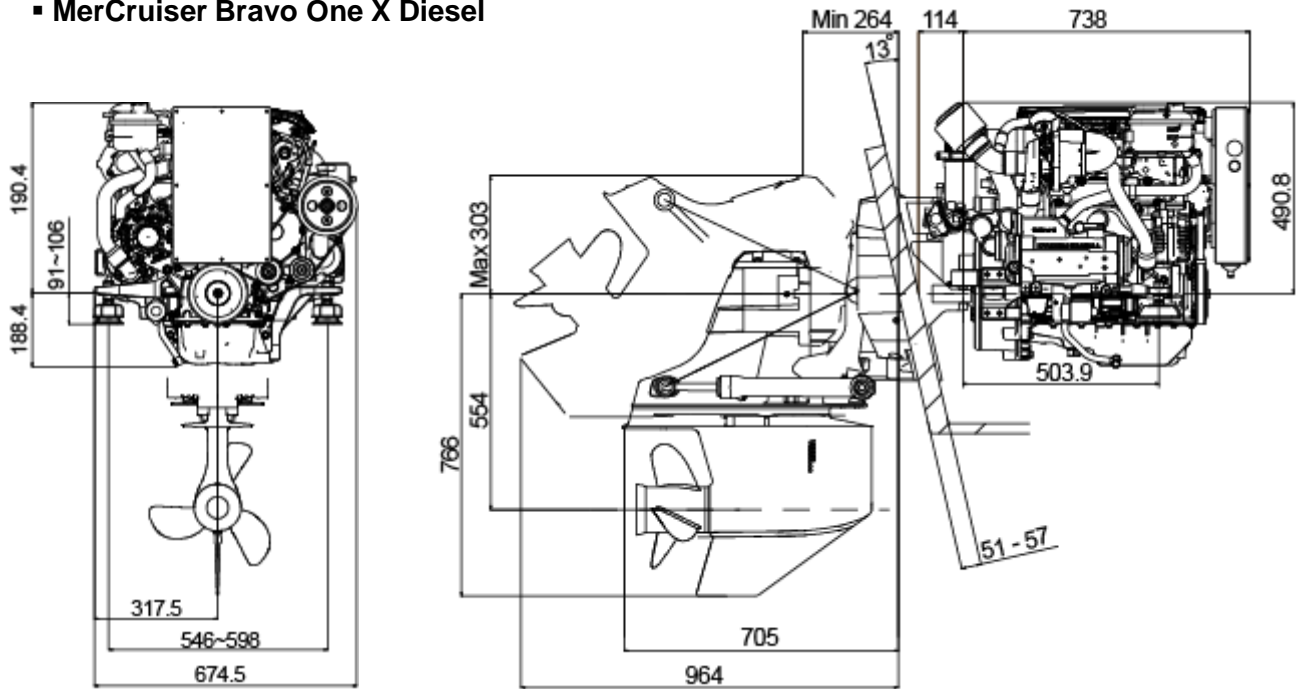
Side view [for waterjet with bearing housing]



INSTALLATION & OPERATION MANUAL

U125 Series Engines

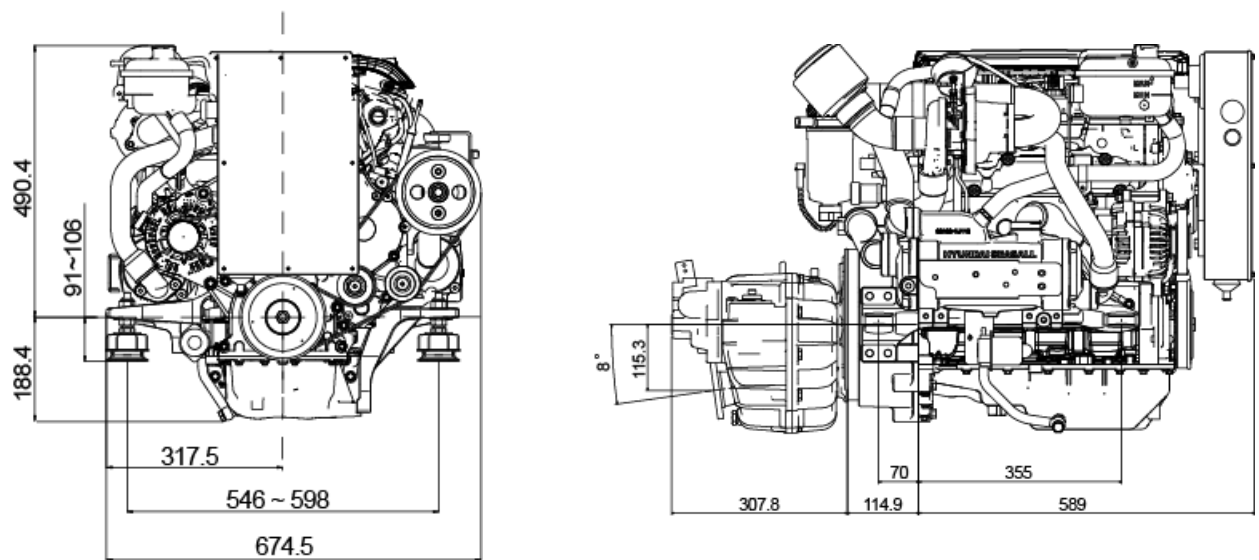
▪ MerCruiser Bravo One X Diesel



Front view

Side view

▪ ZF 25 A



Front view

Side view

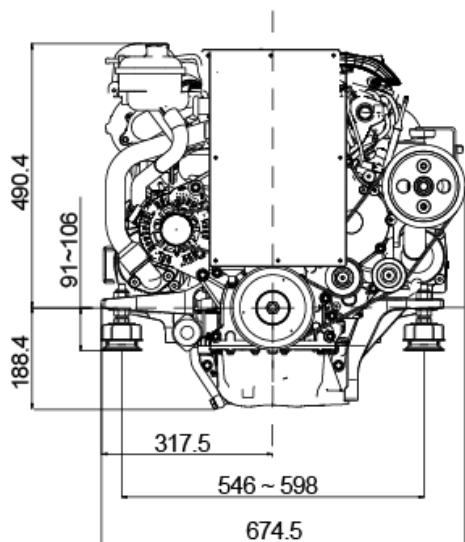


INSTALLATION & OPERATION MANUAL

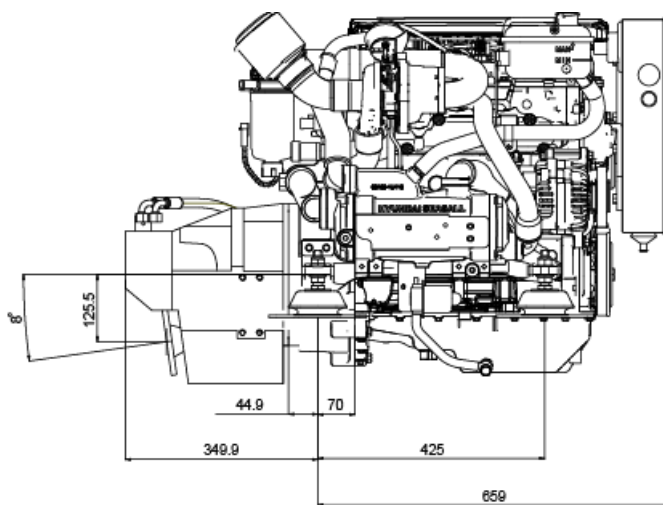
U125 Series Engines

HYUNDAI SEASALL

▪ ZF 45 A

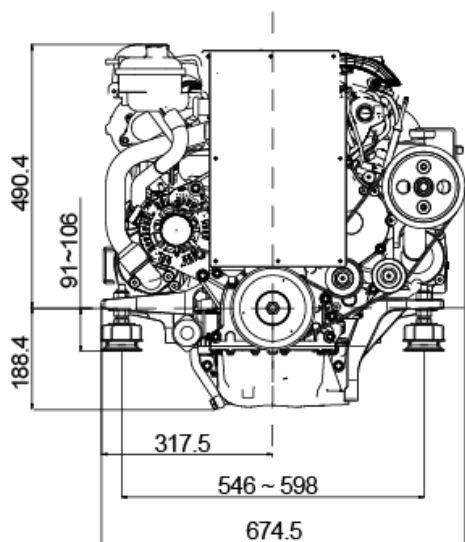


Front view

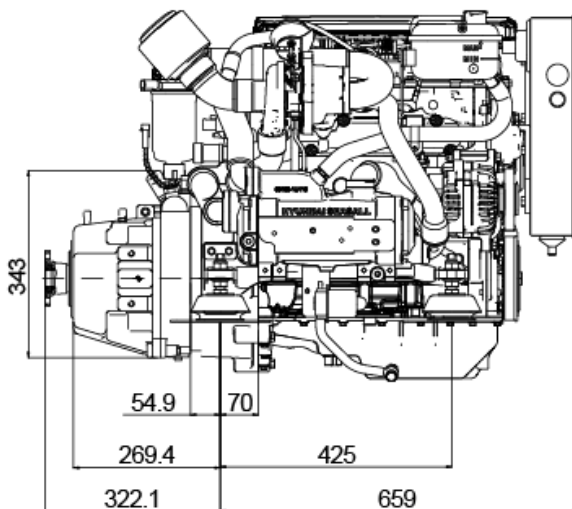


Side view

▪ ZF 45 C



Front view



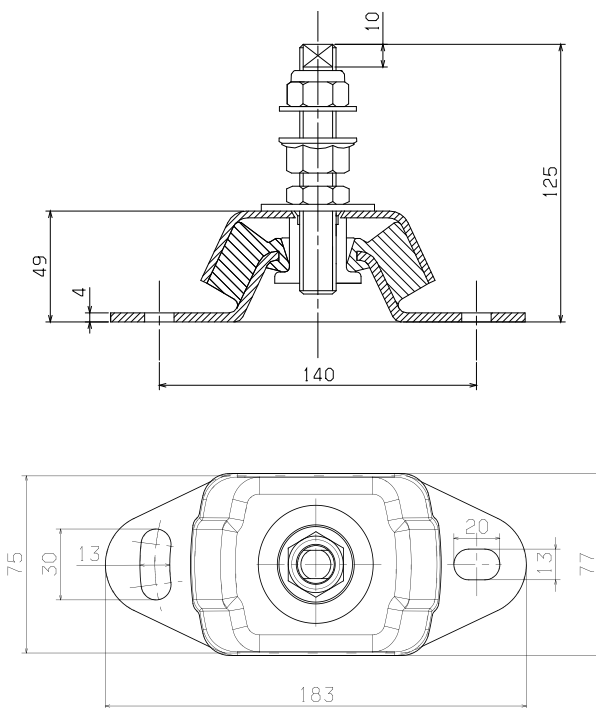
Side view

CHAPTER 2
ENGINE MOUNT SYSTEM

1. ENGINE MOUNTING REQUIRMENTS

- The mounts must be strong enough to carry the loads applied by the weight and power of the engine. It also must be stiff enough that the engine does not sag or move too much when power is applied.
- The mounts must position the engine at the correct height and angle so that the engine's thrust line suits the boat.

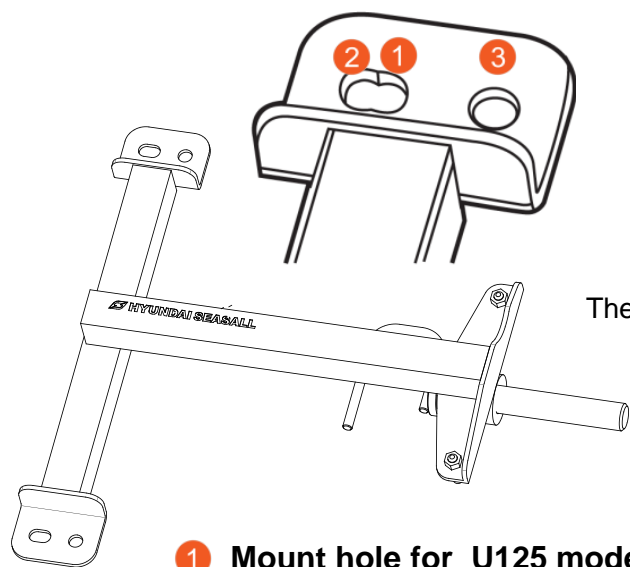
2. ENGINE MOUNT DIMENSIONS



CAUTION

USE ONLY THE ORIGINAL HYUNDAI SEASALL ENGINE MOUNTS THAT WERE SUPPLIED WITH THE INITIAL PURCHASE. AFTER INSTALLATION AND ALIGNMENT OF THE ENGINE, MAKE SURE THAT NO RESIDUAL TENSION EXISTS IN THE DRIVETRAIN.

3.ENGINE MOUNT TOOL FOR STERNDRIVE MODEL



- 1** Mount hole for U125 model
- 2** Mount hole for D170 and D150 model
- 3** Mount hole for S250 and S220 model



The genuine alignment tool of Hyundai-Seasall(Five step)



The alignment tool of MerCruiser(Four step)

CAUTION

IT IS ESSENTIAL THAT THE ENGINE BED IS PERFECTLY FLAT BEFORE USING ENGINE MOUNT TOOL.

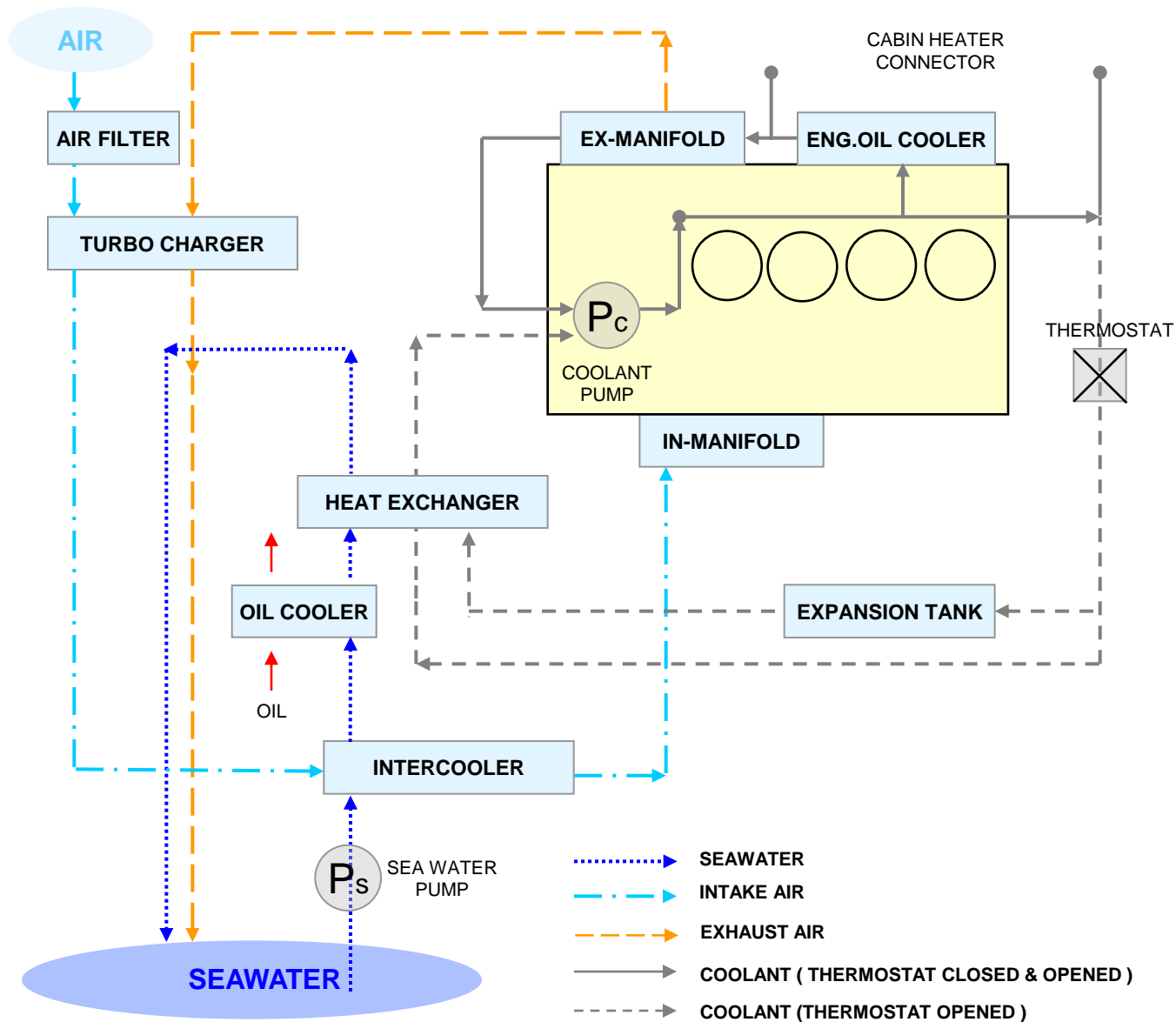
FOR INFORMATION ON INSTALLATION OF THE STERNDRIVE BRAVO MODELS, PLEASE SEE THE SEPARATE BOOKLETS INCLUDED IN THE ORIGINAL PACKAGING OF YOUR HYUNDAI SEASALL PURCHASE.

HYUNDAI SEASALL ENGINES MUST BE USE THE GENUINE ALIGNMENT TOOL OF HYUNDAI SEASALL OTHER THE DRIVE COUPLER WILL BE DAMAGED.



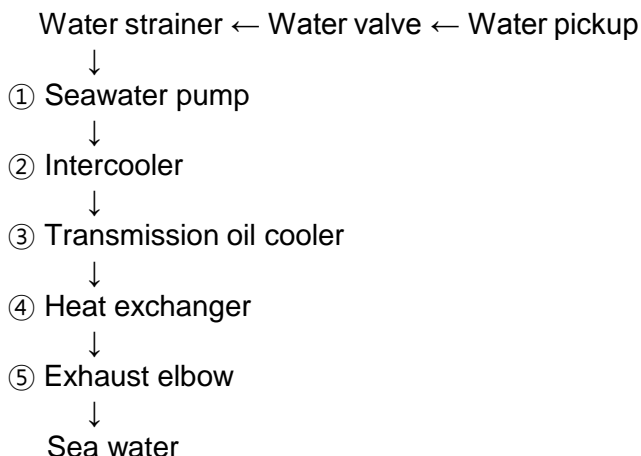
CHAPTER 3 COOLING & EXHAUST SYSTEM

1. SCHEMATIC DIAGRAM OF ENGINE COOLING CIRCUIT





2. SEAWATER FLOW – OPEN COOLING CIRCUIT

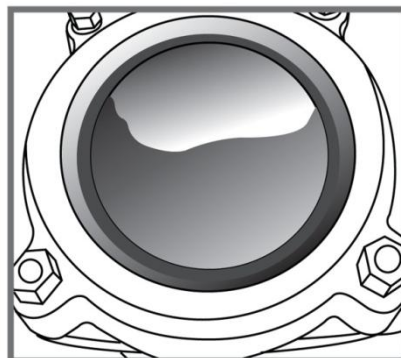


2.1. WATER PICKUP

- Water pickup should be installed in an area where it won't pick up air bubbles and will access clean water during all phases of the engine operation.
- For use in sterndrive models, please see the section “Installing Sterndrive Seawater Pickup” of the BRAVO MODELS INSTALLATION MANUAL, included in the original packaging.
- For further safety, you can use an additional transom or bottom mounted clamshell-type water pickup.

2.2. WATER STRAINER

- Strainer should be located in an area where it will be easily accessible for periodic seawater flow inspection and cleaning.
- The size of strainer must be of sufficient capacity to pass the seawater (a flow rate over 150 liters per minute flow rate).
- Strainer must be installed after water inlet valve in order to allow user to shut off seawater when cleaning strainer filter.



CAUTION

IF THE SEAWATER STRAINER IS NOT PROPERLY ASSEMBLED, AIR CAN BE SUCKED INTO THE COOLING CIRCUIT, DISTURBING THE VACUUM PROCESS. THIS CAN CAUSE THE ENGINE TO OVERHEAT.



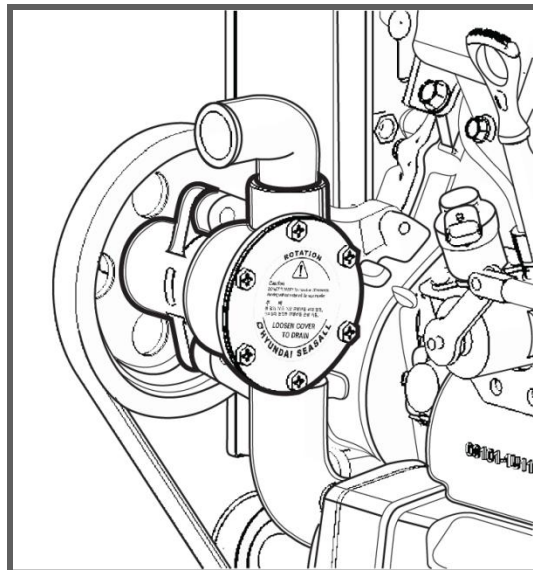
CLEAN STRAINER FILTER

- Stop the engine and close the water valve.
- Remove the filter cap.
- Remove the filter element, flush it thoroughly with clean water or compressed air.
- Insert the cleaned filter element and screw on the filter cap.
- Check the cap and the gasket for correct seating and sealing.
- Open the water valve.
- Start the engine and check if there is water leakage.



2.3. SEAWATER PUMP

- The internal diameter of hose connected to seawater pump inlet should be 32mm.
- The cross section of the hose may shrink due to inlet pressure drop. Therefore, the hose from water pickup in the boat's hull to the seawater pump inlet should be as short as possible and must be made of steel wire reinforced material.
- The seawater pump impeller must be checked periodically and replaced if necessary.



CAUTION

IF ASSEMBLY IS NOT CONDUCTED PROPERLY, AIR CAN BE SUCKED IN, DISTURBING THE VACUUM PROCESS. THIS CAN CAUSE THE ENGINE TO OVERHEAT.



CHECKING SEA WATER PUMP & IMPELLER

- Stop the engine and close the water valve.
- Remove the impeller housing cover.
- Remove the impeller from inside the seawater pump.
- Check the condition of impeller and bushing.
- Apply soapy water to impeller when assembling, and reassemble towards rotation direction.
- Replace of the O-ring on the impeller housing cover.
- Open the water valve.
- Start the engine and check if there is water leakage.



CAUTION

DO NOT RUN THE ENGINE WITHOUT SEAWATER. THE SEAWATER PUMP IMPELLER WILL BE DAMAGED. BEFORE STARTING THE ENGINE, BE SURE TO SUPPLY SEAWATER TO THE PASSAGES.



CAUTION

IMPELLER DAMAGE MAY OCCUR IF APPROPRIATE TOOLS ARE NOT USED WHEN REMOVING THE IMPELLER. MAKE SURE TO CHECK O-RING CONDITION AFTER SEAWATER PUMP REASSEMBLY.



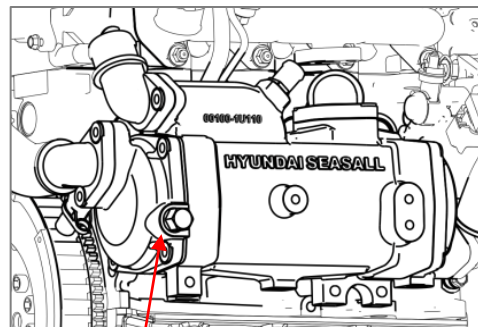
CAUTION

DO NOT INSTALL ADDITIONAL DEVICES WHICH COULD OBSTRUCT THE FLOW OF SEAWATER. THIS CAN CAUSE THE ENGINE TO OVERHEAT.

2.4 SEA WATER DRAIN

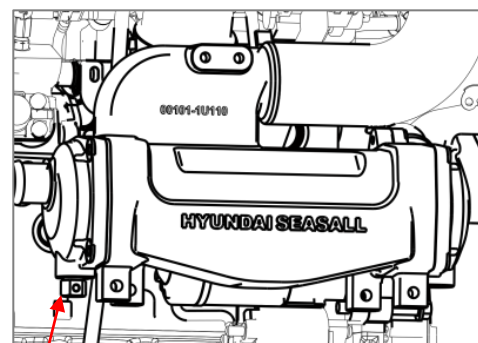
- Remove anode, then please let the sea water drain.
- Removing and Inspection procedure
 1. Remove the anode plugs on the heat exchanger (A) and the intercooler (B).
 2. Squeeze the hose (C) connecting the heat exchanger to the intercooler several time to ensure that seawater does not remain in the hose and bundle.
 3. While anodes are removed, inspect for usability (See Chapter 11 – Anti-Corrosion System).
 4. Replace anode plugs before running engine.

HEAT EXCHANGER

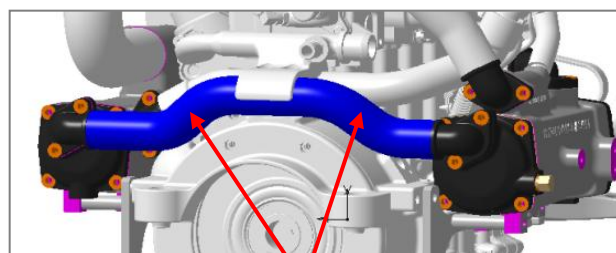


(A) Anode plug (water)

INTERCOOLER



(B) Anode plug (water)

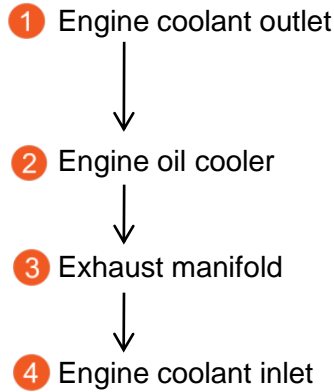
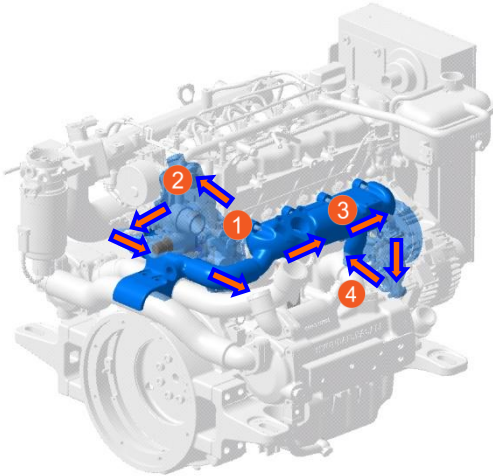


(C)

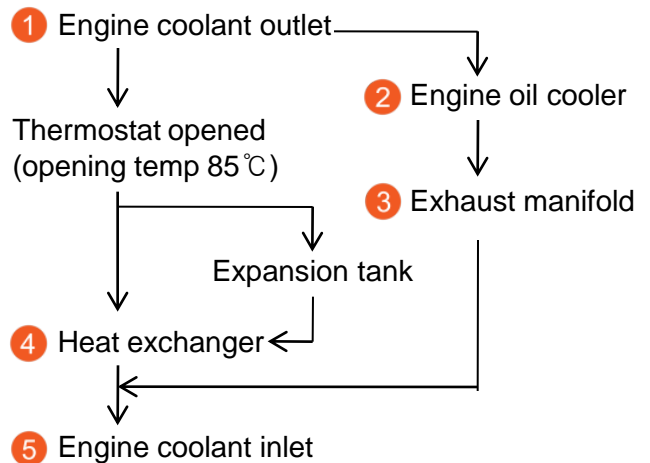
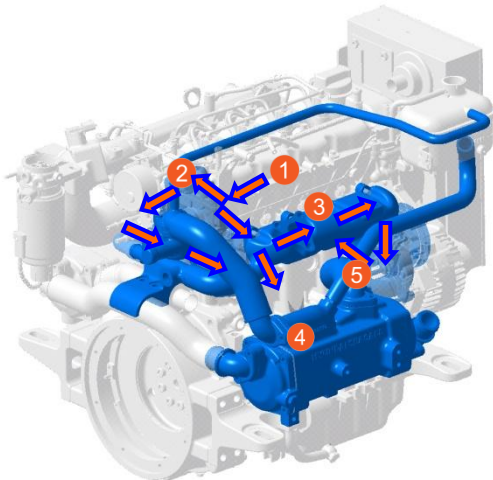


3. ENGINE COOLANT FLOW

▪ THERMOSTAT CLOSED

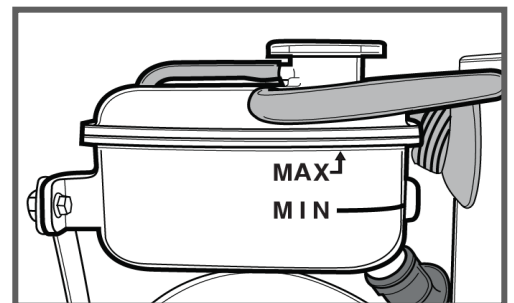


▪ THERMOSTAT OPENED



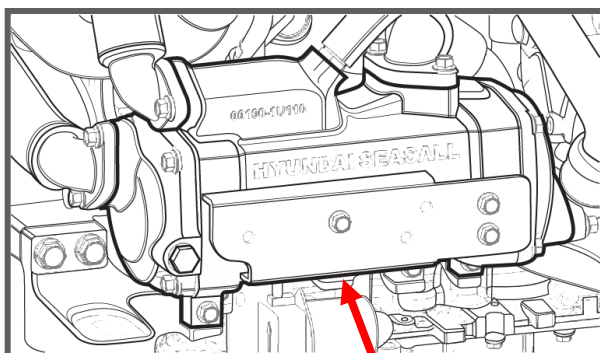
ENGINE COOLANT

- The high-pressure cooling system has a reservoir filled with year-round antifreeze coolant. The reservoir is filled at the factory.
- The coolant level should be between MAX and MIN marks on the side of the coolant reservoir when the engine is cool.



- If the coolant level is low, add enough specified coolant to provide protection against freezing and corrosion. Bring the level to MAX, but do not overfill.
- If frequent additions are required, see an authorized dealer for a cooling system inspection.
- Use only soft (demineralized) water in the coolant mixture.
- The engine has aluminum engine parts and must be protected by an ethylene-glycol-based coolant to prevent corrosion and freezing.
- DO NOT USE alcohol or methanol coolant or mix them with the specified coolant.
- DO NOT USE a solution that contains more than 60% antifreeze or less than 35% antifreeze, which would reduce the effectiveness of the solution.
- For mixture percentages, refer to the following table:

Ambient Temperature	Mixture Percentage (volume)	
	Antifreeze	Water
-15°C (5°F)	35	65
-25°C (-13°F)	40	60
-35°C (-31°F)	50	50
-45°C (-49°F)	60	40



① Engine coolant drain plug

- In order to drain engine coolant, use a screwdriver to loosen the drain plug ①.
- The drain plug is located under the heat exchanger unit.

REMOVING AIR BUBBLES IN COOLANT

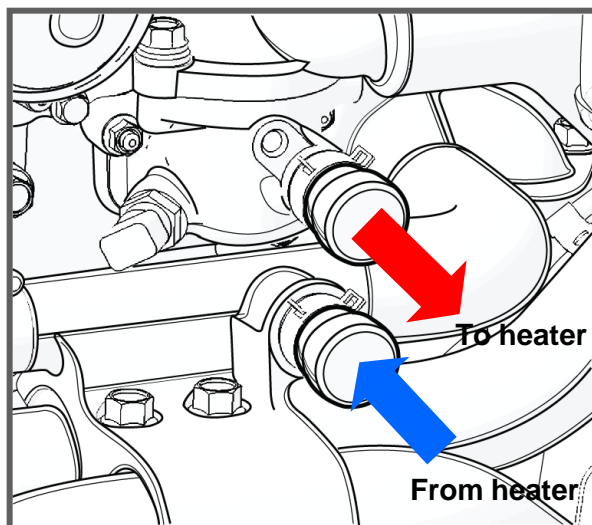
- Start the engine and warm it up at a low rpm.
- Stop the engine and allow the engine to cool, and then open the cap of the expansion tank carefully.

*NOTE: Never open the cap when the engine is hot. It may cause scalding.

- Refill with coolant if needed.
- Reinstall the expansion tank cap
- Check the level of the expansion tank regularly.

CABIN HEATER CONNECTION

- In order to use a cabin heater, an extra coolant circulation pump is needed.
- After connecting cabin heater lines, engine coolant must be refilled and checked.
- Please check coolant flow direction, as shown in the drawing.
- Outer diameter of connection port is $\varnothing 17.3$ mm



* Outer diameter of line is $\varnothing 19.1$ mm

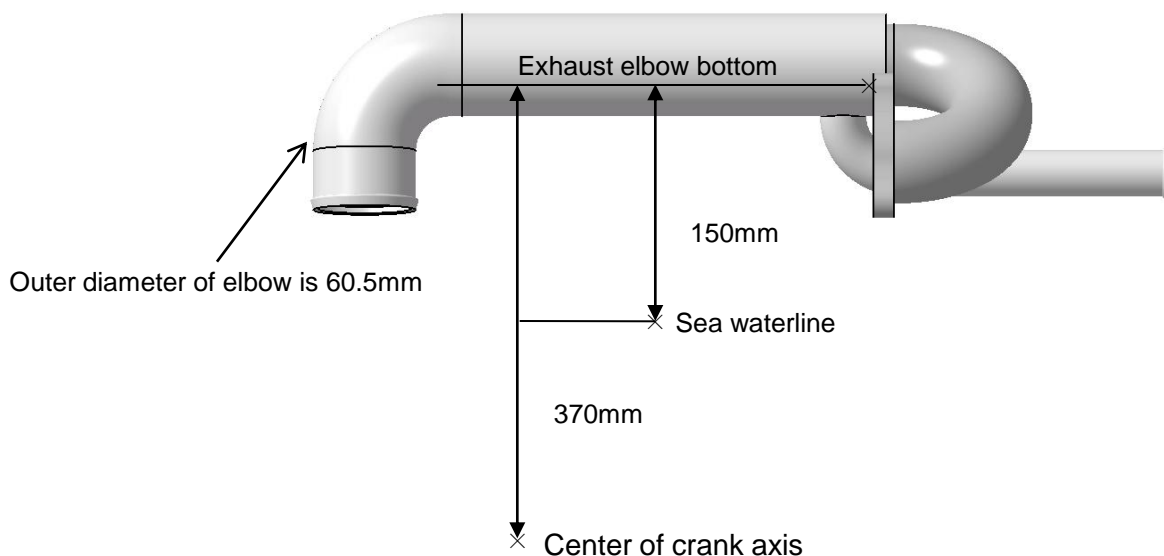


WARNING

NEVER OPEN THE EXPANSION TANK CAP WHEN THE ENGINE IS OPERATING OR HOT. IT COULD RESULT IN SERIOUS PERSONAL INJURY AND MAY CAUSE ENGINE DAMAGE.

EXHAUST SYSTEM

- Your Hyundai SeasAll engine's exhaust system consists of a coolant-cooled exhaust manifold and a seawater-cooled exhaust elbow (water injected wet exhaust system).
- The vessel's exhaust line should not be made too long and should be as straight as possible. The maximum back pressure of the exhaust gas should be under 350 mbar.
- Make sure that the shortest height between bottom of the exhaust elbow and the center of the crank axis is 370 mm.
- If the distance between the bottom of the exhaust elbow and the waterline is less than 15cm, or if the waterline is above the water injection point, there is a risk of flowing back (siphoning by engine stopping and outside seawater entering through the transom exhaust hole).
- In order to avoid this risk, an air ventilation unit and exhaust riser are needed. If in doubt about exhaust system installation, please contact your nearest Hyundai SeasAll dealer.

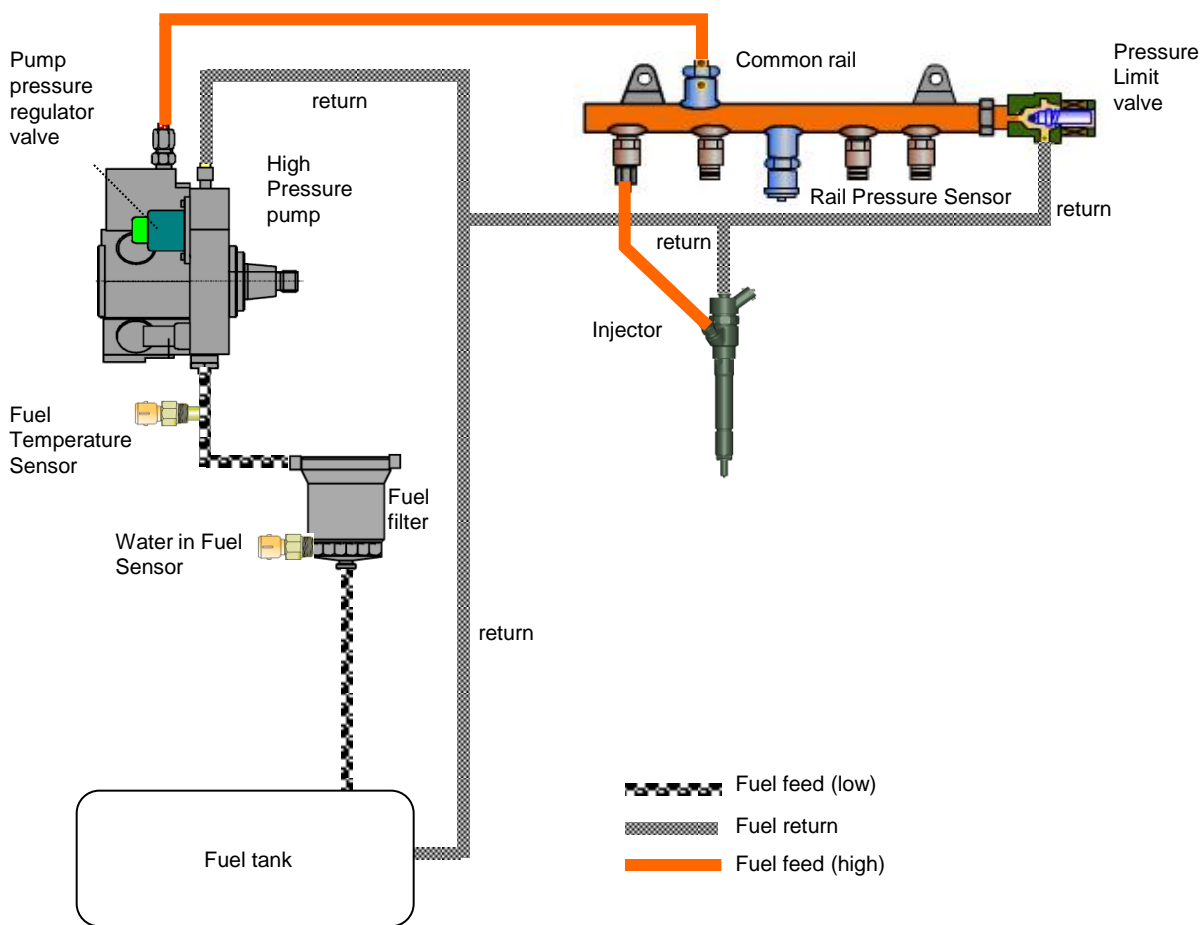


CAUTION
IF IN DOUBT ABOUT EXHAUST SYSTEM INSTALLATION, PLEASE CONTACT YOUR NEAREST HYUNDAI SEASALL DEALER.

CHAPTER 4

FUEL SYSTEM

The fuel supply system of this engine is diesel common rail direct injection. In order to optimize engine combustion, maximum injection pressure is up to 1600 bar. Multi-injection is possible thanks to the quick response of the solenoid type injector.

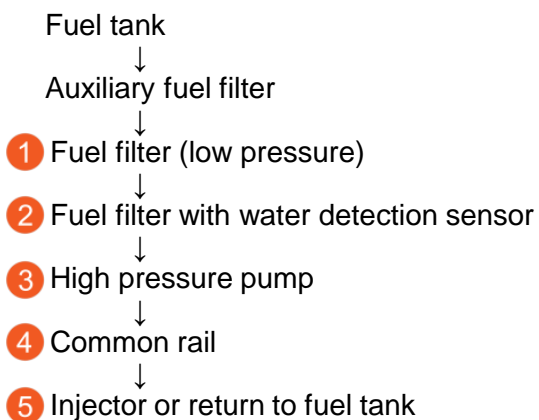
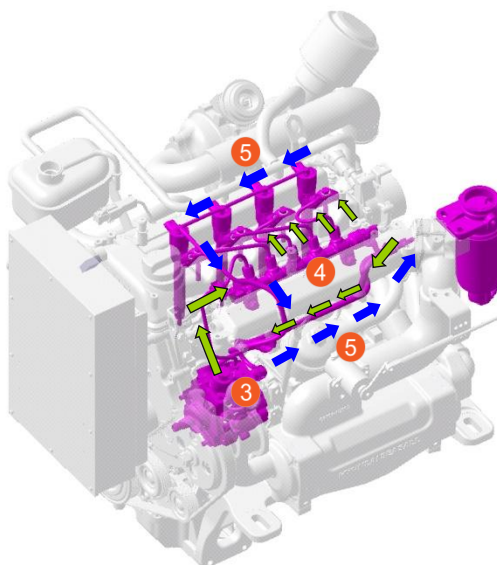




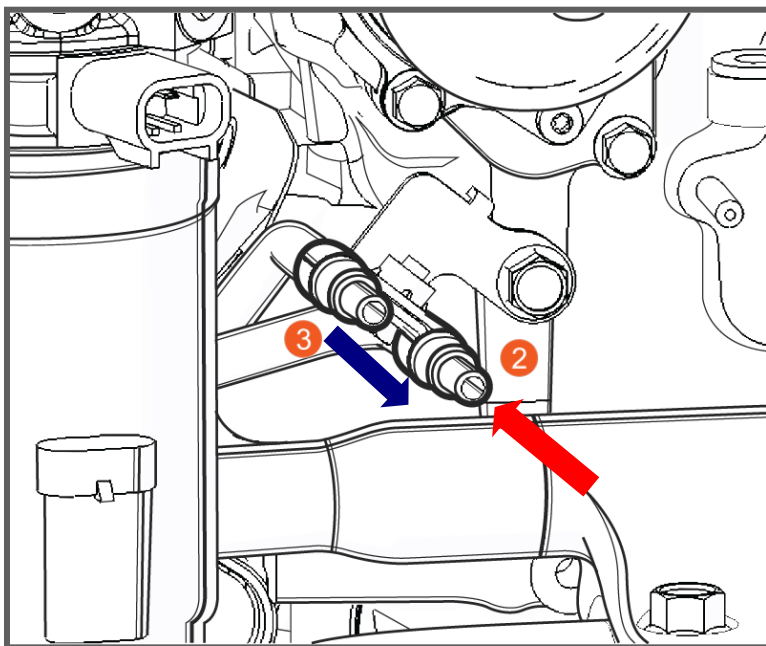
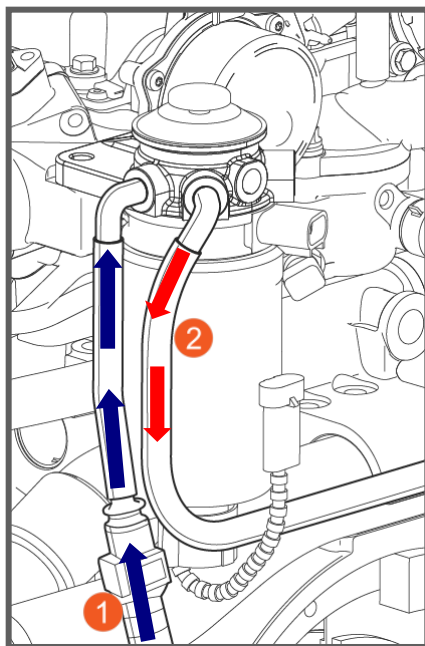
INSTALLATION & OPERATION MANUAL

U125 Series Engines

FUEL FLOW



LOW PRESSURE FUEL LINE

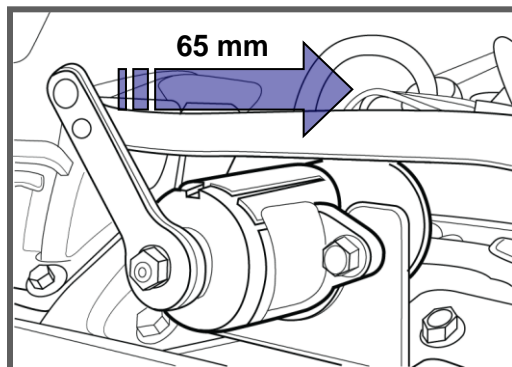


- ① Feeding line from fuel tank to fuel filter
- ② Feeding line from main fuel filter to high pressure pump
- ③ Return line to fuel tank (engine out)

※ The internal diameter of all fuel lines must be at least 8 mm.

ACCELERATION SENSOR AND CONTROL LEVER

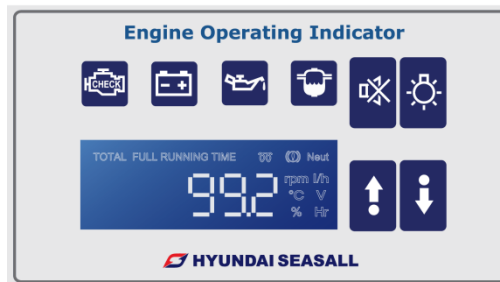
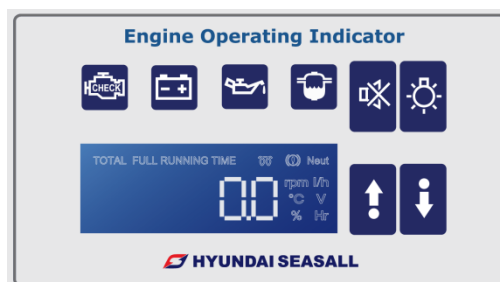
When installing control lever cable to acceleration sensor, be sure that the acceleration sensor lever is fully released at the idle position and fully pulled to the full-load position. The swing distance of the lever between idle and full-load position is 65mm.



The procedures for control lever installation

- 1) Idle position setting
 Make sure that the position value (%) indicates 0% in neutral condition.

- 2) Full load position setting
 Make sure that the position value (%) indicates full load range(90~99.2%) at fully forward lever position. If not, disassemble and adjust the base neutral position of the control lever by moving it to the rear until the condition are met.



CAUTION
 YOU SHOULD PERFORM ABOVE PROCEDURES AFTER CONTROL LEVER INSTALLATION WITH THE ENGINE NOT RUNNING BUT WITH THE IGNITION KEY ON.



RECOMMENDED FUEL QUALITY

The following fuels should be used for engine operation:

- Standard summer / winter diesel fuel according to DIN EN 590 (classes A-F)
- Diesel fuel according to DIN EN 590 (classes 0-4) in arctic climates
- Summer diesel fuel according to California and U.S. federal regulations
- Winter diesel fuel if lubricity is comparable to diesel fuel according to DIN EN 590
- Mixture of diesel fuel with 5 Vol.% RME according to DIN 51606
- Later admixing or additional use of additives, gasoline or special fuels is not permitted

DRAINING WATER FROM FUEL FILTER

- The fuel filter for a diesel engine plays an important role of separating water from fuel and accumulating the water in its base. If water accumulates in the fuel filter, a warning light comes on when the ignition switch is at the ON position.
- If the water in the fuel filter is over the limit, the Water Sensor Lamp on the EOI will light up. If this happens, you must stop the engine and drain the water in fuel filter yourself or ask the nearest workshop to do this.

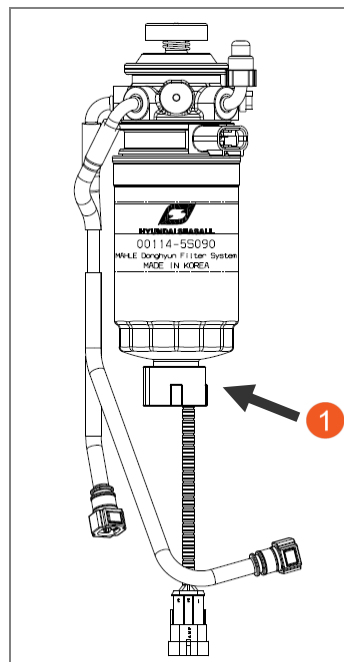
- Water and a little fuel will drain at the same time.

Therefore, avoid flames in your workspace.

- If your fuel is not well suited to your engine, more frequent drainage will be required.

- To check and drain the water in fuel filter:

- ① Loosen the drain plug (part ①) and drain water.
100 ~ 120cc drainage is proper.
- ② After water is drained, securely tighten the drain plug.
- ③ After starting the engine, check to make certain the fuel filter warning light is off.



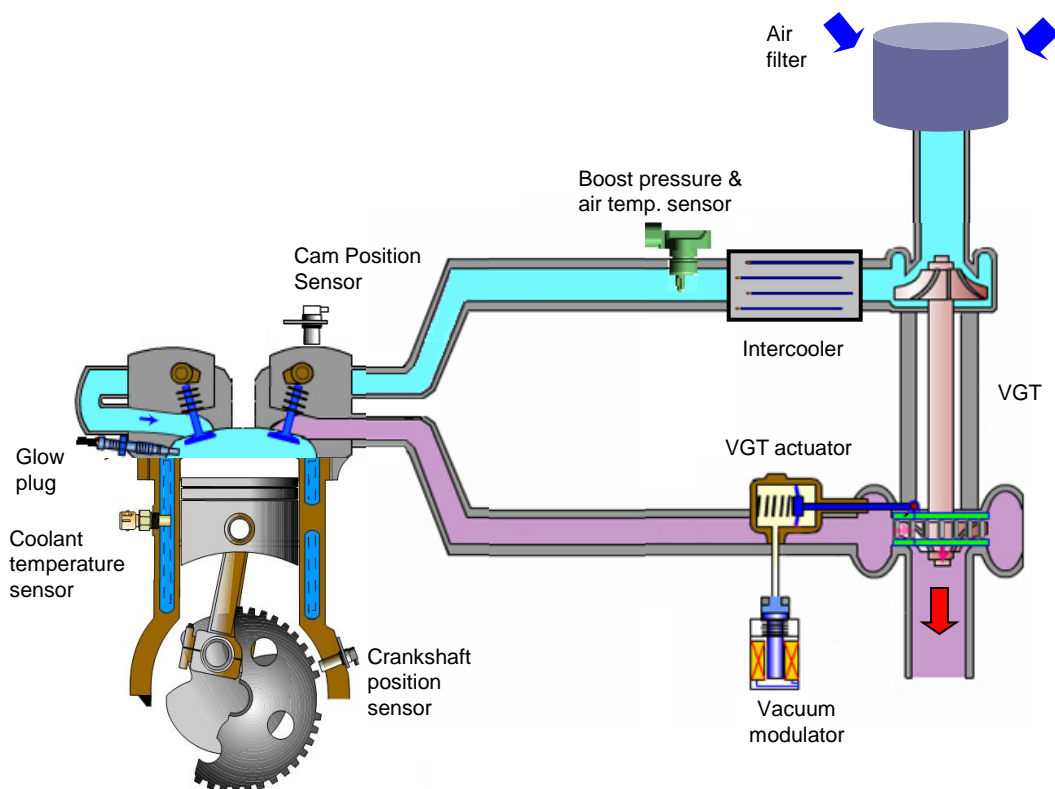
CAUTION

HYUNDAI SEASALL'S GUARANTEES OR WARRANTIES ARE VOID IN CASES WHERE DAMAGE TO FUEL INJECTOR COMPONENTS (HIGH PRESSURE PUMP, INJECTORS, ETC.) CAN BE ATTRIBUTED TO THE USE OF UNQUALIFIED FUELS.

IF WATER ACCUMULATED IN THE FUEL FILTER IS NOT DRAINED AT PROPER TIMES, DAMAGE TO MAJOR ENGINE PARTS MAY OCCUR. WHEN REPLACING THE FUEL FILTER CARTRIDGE, USE ONLY GENUINE HYUNDAI SEASALL PARTS.

CHAPTER 5
AIR INTAKE SYSTEM

The intake air system of this engine is optimized by VGT and a highly efficient intercooler system. The pressure of the air system is up to about abs. 2.5 bar in order to optimize engine combustion.



ENGINE ROOM VENTILATION

- Engines with turbocharged air inlet systems require much more cool fresh air than non-turbocharged engines.

(Maximum air consumption is 460kg/h, minimum engine room vent area is 35cm².)

- The fresh and cooled air must be pumped into the engine in order to perform at normal power and fuel consumption.
- The temperature at the air inlet should be as low as possible. A high temperature of inlet air may reduce engine performance.

AIR FILTER MAINTENANCE



- The original Hyundai SeasAll air cleaner may be cleaned and reused.
- If the air filter is very dirty, it can increase airflow resistance and reduce flow of air to the engine. This can result in reduced power and fuel efficiency.
- Cleaning the air filter should be carry out periodically according to the procedure below.
- Do not clean the filter element with gasoline or other solvent cleaners.
- Remove the air filter from engine.
- Put the air filter on a flat surface and shake dust out.
- Liberally spray K&N Air filter Cleaner onto both sides the of filter and allow to soak for 10 minutes to loosen the dirt.
- Wash out the dust with running water of low pressure from the inside toward the outside.
- Dry the wet air filter in the shade for 2~3 hour. You can reduce drying time by blowing with a hair dryer on COLD or by blowing with low pressure compressed air.
- (CAUTION) Do not use high pressure air, high pressure water or hot air to clean and/or dry the air filter. These can damage the performance of the air filter.
- Apply air cleaner oil over the outside of the filter. If too much oil is applied, it will reduce performance.
- Reassemble air filter to engine.



CAUTION

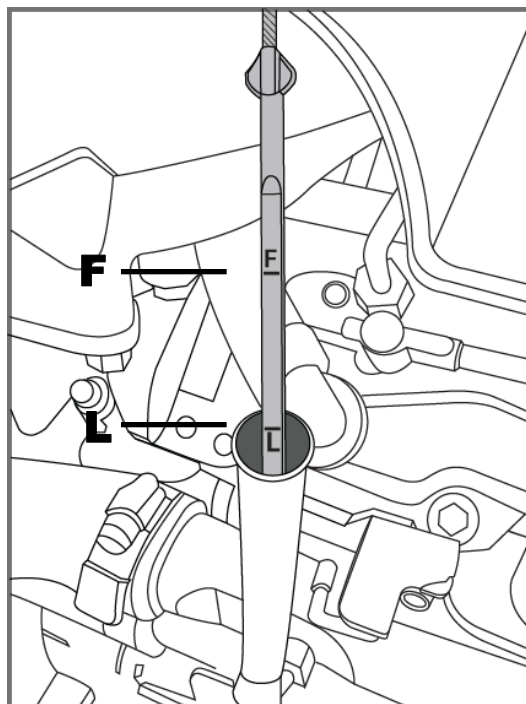
WHEN REMOVING THE AIR FILTER, BE CAREFUL THAT DUST OR DIRT DO NOT ENTER THE AIR INTAKE, OR DAMAGE MAY RESULT. AND DO NOT RUN WITHOUT AIR CLEANER. THIS COULD RESULT IN EXCESSIVE ENGINE WEAR. USE OF NON-GENUINE PARTS COULD DAMAGE THE TURBO CHARGER OR ENGINE.

CHAPTER 6
LUBRICATION SYSTEM

ENGINE OIL LEVEL CHECKS

The engine oil level must be checked at regular intervals.

- Be sure the boat is level.
- Start the engine and allow it to reach normal operating temperature.
- Turn the engine off and wait about 5 minutes, until the oil has returned to the oil pan.
- Pull the dipstick out, wipe it clean, and re-insert it fully.
- Pull the dipstick out again and check the level. The level should be between F and L. If it is near or at L, add enough oil to bring the level to F. Do not fill with engine oil above the F mark.



RECOMMENDED OIL QUALITY

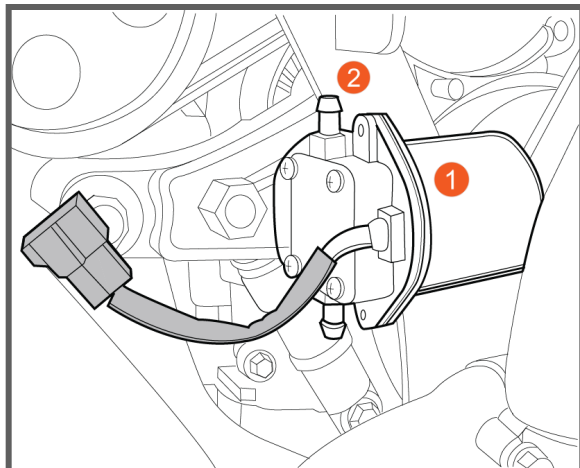
For best performance and maximum protection during all types of operation, select only those lubricants which :

- Satisfy the requirement of the API or ACEA classification.
- Have the proper SAE grade number for the expected ambient temperature range.

Description		Specifications	Limit
Oil quality	ACEA	Above B4	Service oil quality should conform to ACEA or API classification.
	API	Above CH - 4	
	SAE	15W-40	-15°C above
		10W-30	-20°C ~ 40°C
		5W-30	-25°C ~ 40°C
0W-30		10°C below	



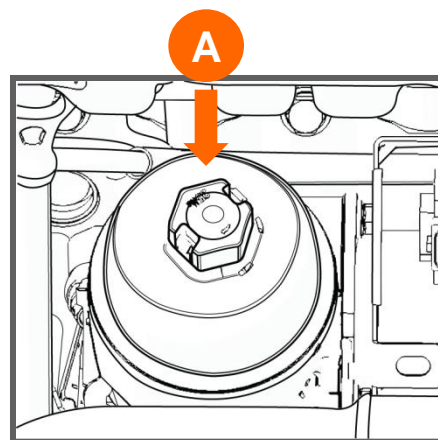
ENGINE OIL EXTRACTION PUMP



- Allow the engine to warm up at least 5 minutes.
- Remove the engine oil inlet cap and oil filter.
- The oil drain hose is connected to the oil extraction pump ①, route the loose end of the hose into the container being used for the oil change ②.
- Turn the ignition key on (but do NOT start the engine) then press and hold the button ③ on the side of the ECU box with the ignition switched on until the engine oil (about 5.7 liters) is completely pumped out.

OIL FILTER REPLACEMENT

- Remove the oil filter (A) with the oil filter wrench.
- Inspect the threads and O-ring to apply a light coat engine oil onto the new filter. Wipe off the seat.
- Install the new oil filter by hand.
- After the packing seats, tighten the oil filter clockwise with the oil filter wrench. (2.3 ~ 2.5kgf·m / 24.5 Nm)
- Complete the reassembly and start the Engine. Then check for oil leakage.
- Turn off the engine and check the oil level. Add oil if necessary.



WARNING

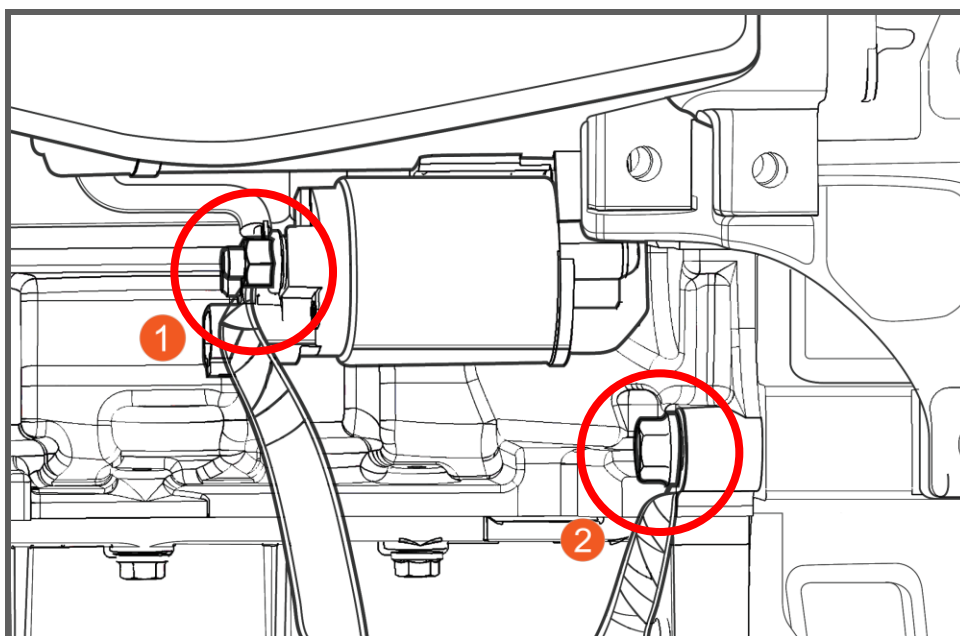
USED OIL MUST BE STORED IN A SAFE PLACE AWAY FROM CHILDREN AND SOURCES OF IGNITION. IF YOU HAVE A USED OIL DISPOSAL PROBLEM, PLEASE HAVE THE ENGINE OIL CHANGED BY YOUR NEAREST HYUNDAI SEASALL SERVICE DEALER.

CHAPTER 7

ELECTRICAL SYSTEM

BATTERY CABLE CONNECTIONS

- The size of battery cable should be at least 40mm² within a length of 4m.
- And it should be at least 50mm² if the cable is longer than 4m.
- Recommended battery capacity is over 150 amperes.
- Connect the battery (+) cable to the starter motor.
- Connect the battery (-) cable to system ground (engine block).
- Battery cables should be clean and tightly connected.



- ① STARTER MOTOR , +
- ② ENGINE GROUND, -



CAUTION

DO NOT TOUCH OR REMOVE ELECTRICAL PART WHEN STARTING OR DURING OPERATION.
KEEP HAND, HAIR, AND CLOTHES AWAY FROM THE FLYWHEEL AND OTHER ROTATING PARTS WHILE THE ENGINE IS RUNNING.



BATTERY CHECKS

Battery inspection is very important in electronically controlled engines: You must check the battery condition regularly.

LOAD TEST

- Perform the following steps to complete the load test procedure for maintenance-free batteries.
- Connect the load tester clamps to the terminals and proceed with the test as follows:
 - ① If the battery has been charged, remove the surface charge by connecting a 300 ampere load for 15 seconds.
 - ② Connect the voltmeter and apply the specified load.
 - ③ Read the voltage after the load has been applied for 15 seconds.
 - ④ Disconnect the load.
 - ⑤ Compare the voltage reading with the minimum acceptable voltage shown in the table below. If the voltage is greater than shown in the table, the battery is good. If the voltage is less than shown in the table, replace the battery.

Voltage	Temperature
9.6	20°C (70°F) and above
9.5	16°C (60°F)
9.4	10°C (50°F)
9.3	4°C (40°F)
9.1	-1°C (30°F)
8.9	-7°C (20°F)
8.7	-12°C (10°F)
8.5	-18°C (0°F)



WARNING

BATTERY MUST BE STORED AND WORKED ON IN A SAFE PLACE AWAY FROM CHILDREN AND SOURCES OF IGNITION. FLUID IN THE BATTERY IS A CORROSIVE ACID AND MUST BE HANDLED WITH CARE. IF SPILLED ON ANY PART OF BODY, FLUSH IMMEDIATELY WITH WATER.



CAUTION

DO NOT LOOSEN OR DETACH BATTERY TERMINALS WHILE ENGINE IS RUNNING. DOING SO WILL DAMAGE THE CHARGING SYSTEM AND OTHER ELECTRONIC DEVICES.

FUSES AND RELAY

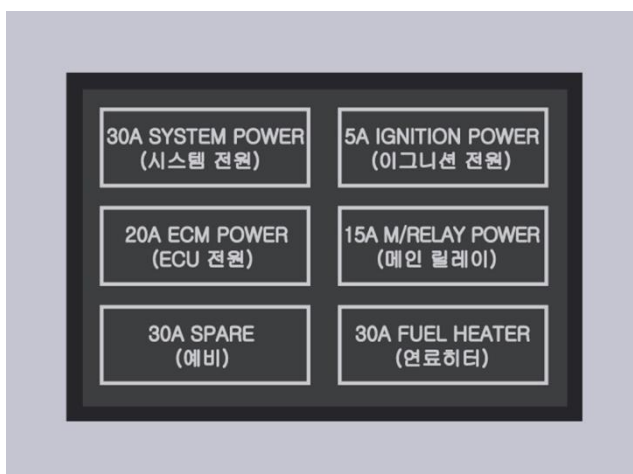
FUSE

- An engine's electrical system is protected from electrical overload damage by fuses.
- If a fuse has blown, the element inside the fuse will be melted. If the electrical system does not work, first check the fuses in ECU box. Always replace a blown fuse with one of the same rating.
- If the replacement fuse blows, this indicates an electrical problem. Avoid using the system involved and immediately consult an authorized Hyundai SeasAll dealer.



Fuses in the ECU Box

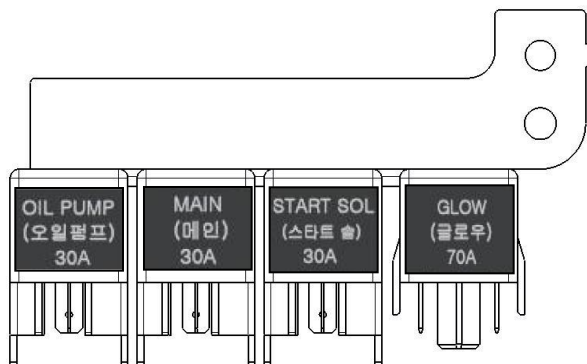
- 1) System Power : 30Amp
- 2) Ignition Power : 5Amp
- 3) ECM(ECU) Power : 20Amp
- 4) Main Relay Power : 15Amp
- 5) Spare : 30Amp
- 6) Fuel Heater Power : 30Amp



RELAYS

Relays in the ECU Box

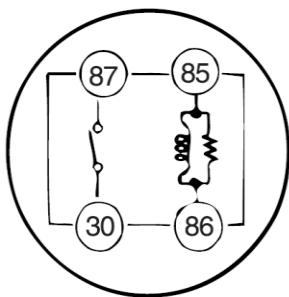
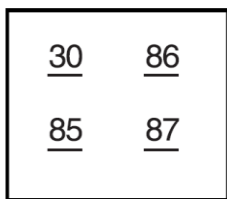
- 1) Oil Extraction Pump Relay : 30Amp
- 2) Main Relay : 30Amp
- 3) Starter Solenoid Relay : 30Amp
- 4) Glow Relay : 70Amp



Using an ohmmeter, check that there is continuity between each terminal.

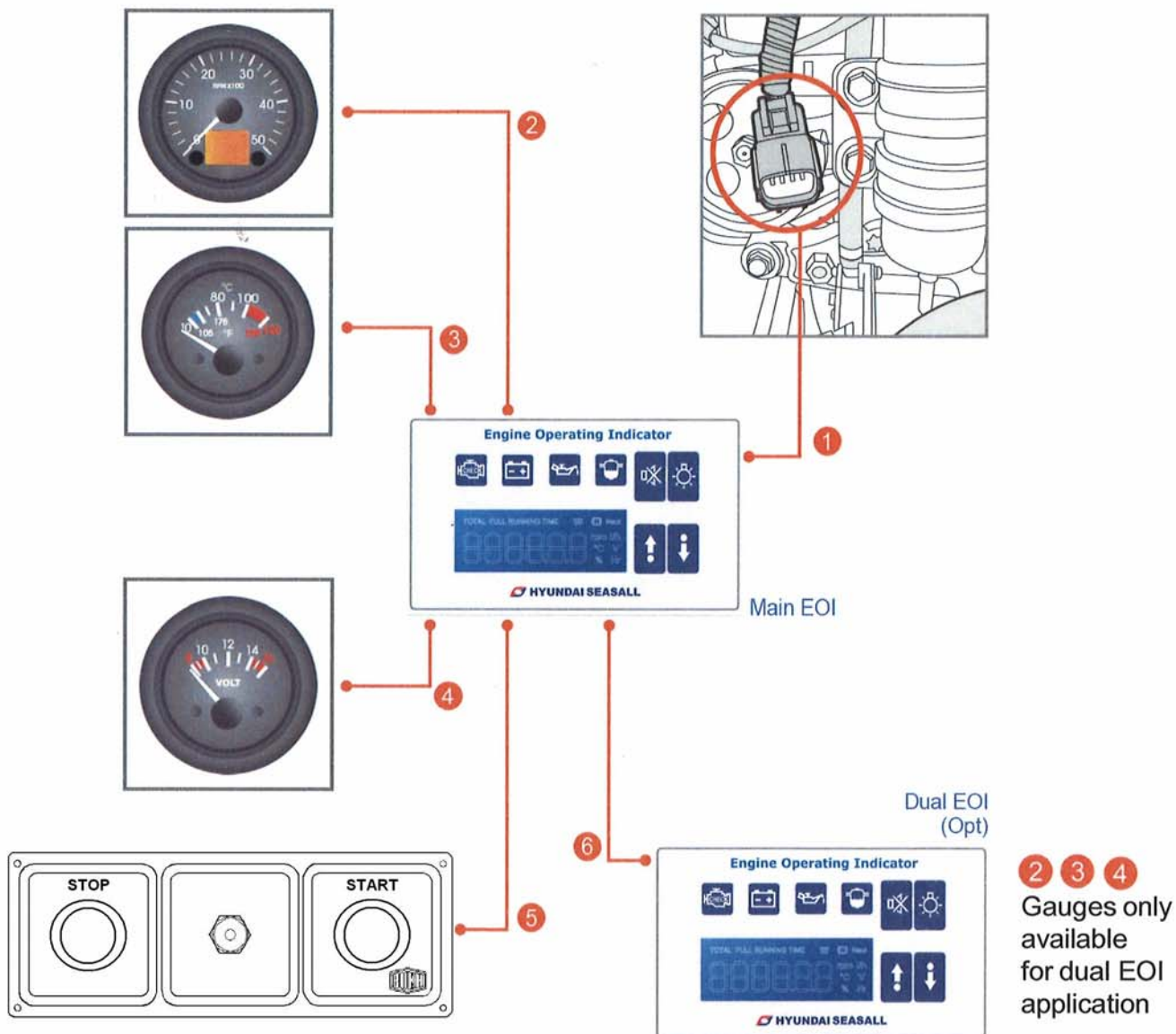
Terminal	Continuity
30 - 87	NO
85 - 86	YES

Apply 12V to terminal 85 and ground to terminal 86. Check for continuity between terminals 30 and 87. Always replace a damaged relay with one of the same rating.



CHAPTER 8 INSTRUMENT SYSTEM

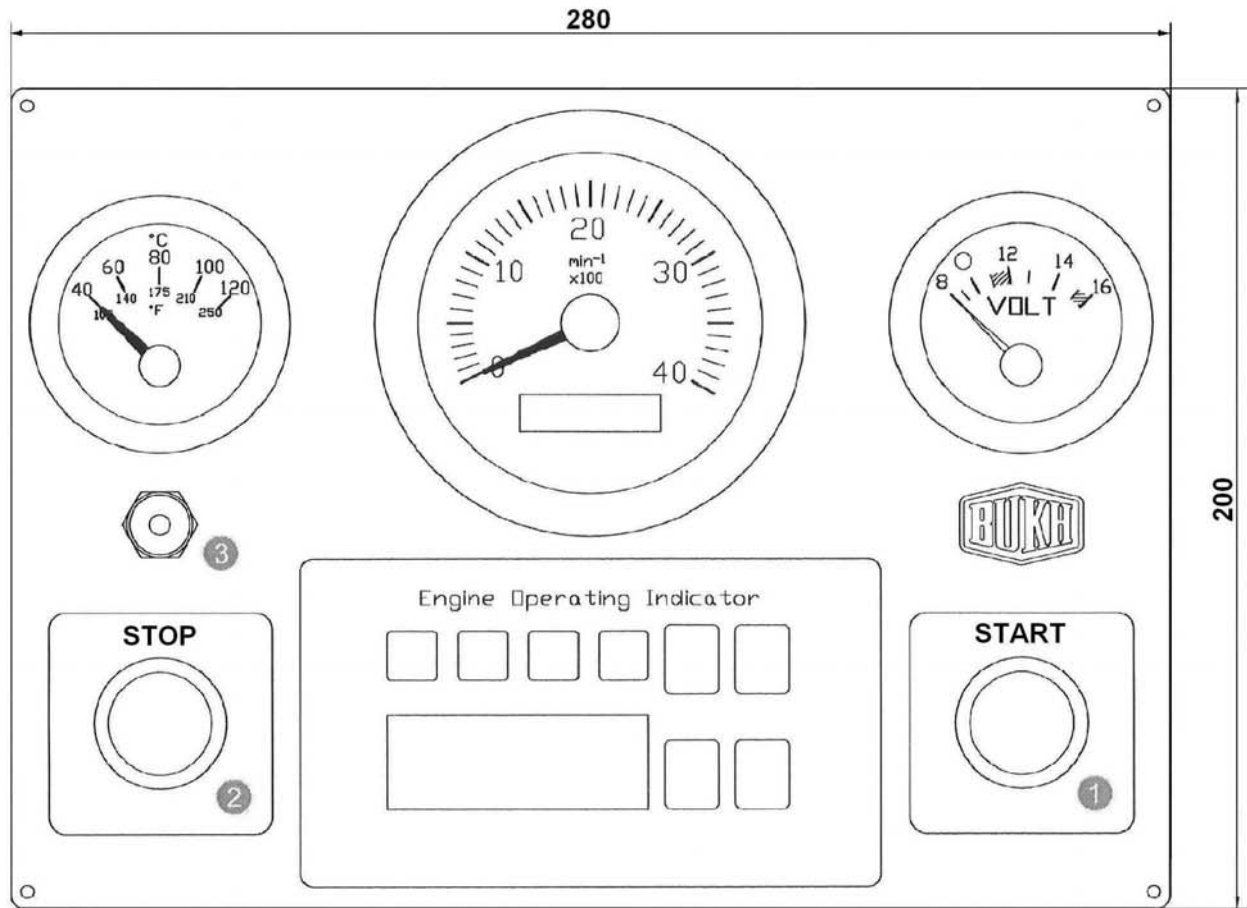
INSTRUMENT CONNECTIONS



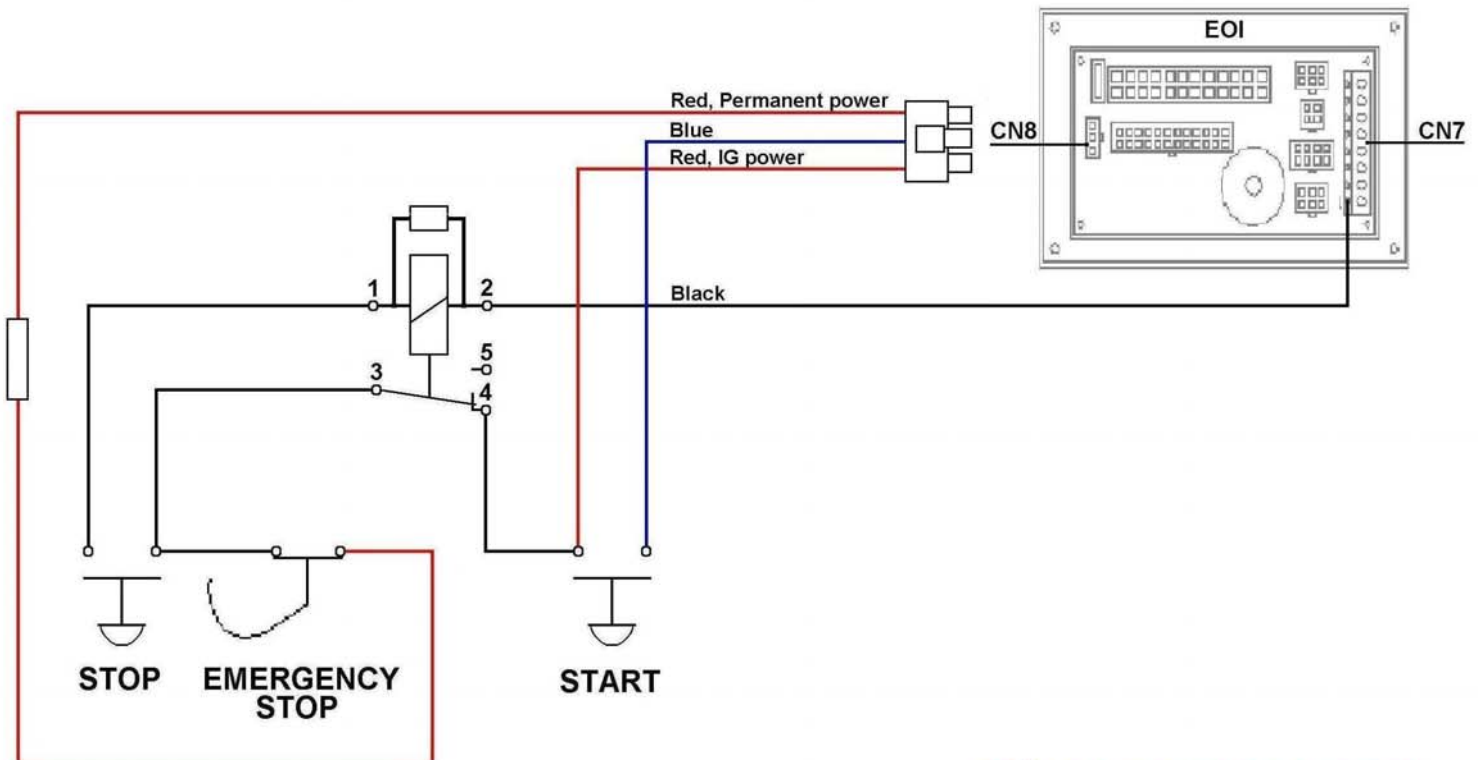
- ① Engine to EOI wiring (standard: 7m, option: 10m)
- ② EOI to RPM gauge(Ø 85) wiring
- ③ EOI to coolant temp gauge(Ø 52) wiring
- ④ EOI to volt gauge(Ø 52) wiring
- ⑤ EOI to Start - Stop panel
- ⑥ Dual EOI wiring (option for dual stage)

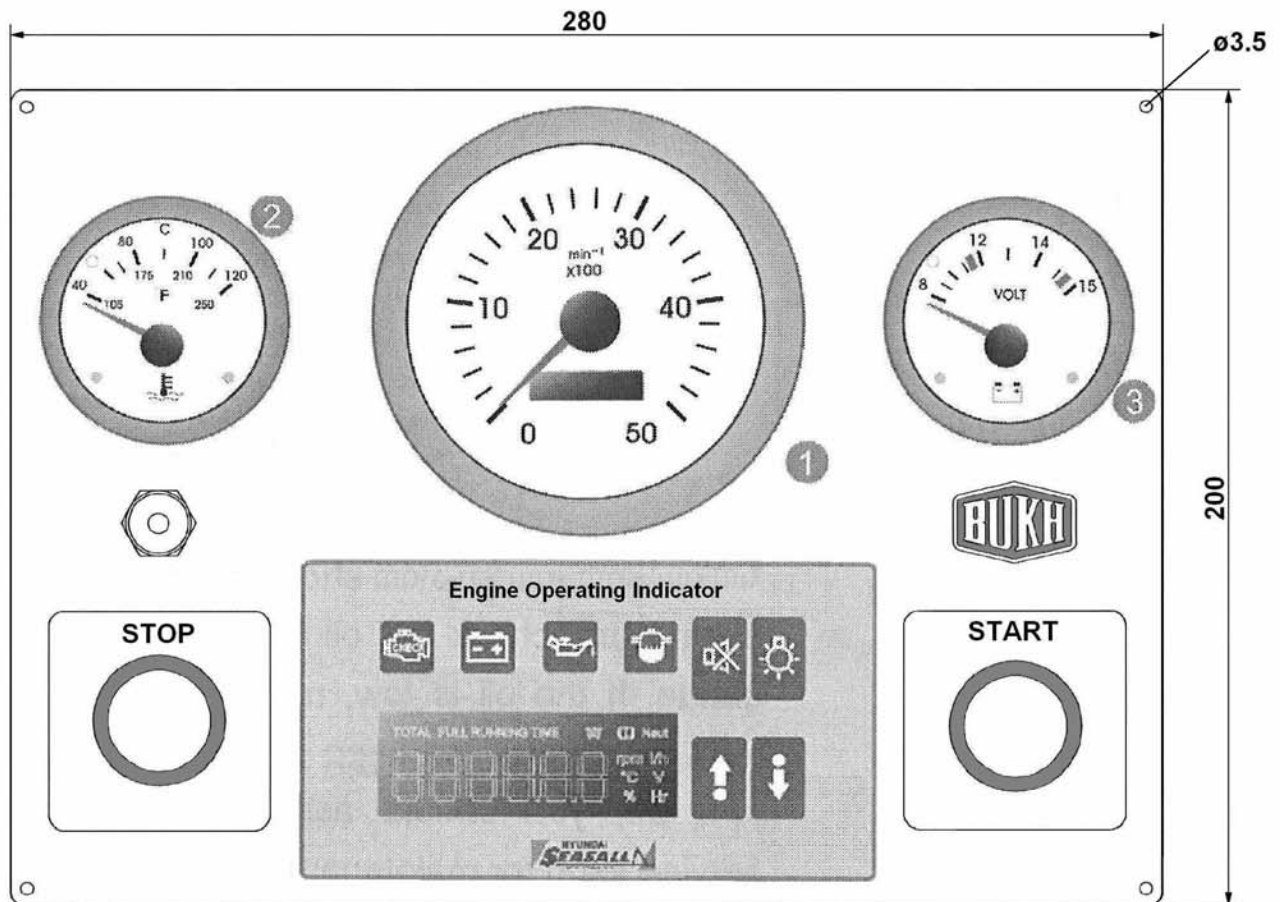
※ For information about the installation and operation of the EOI (Engine Operating Indicator) system, please refer to Chapter 10.

Standard instrumentation



① Start button ② Stop button ③ Emergency stop

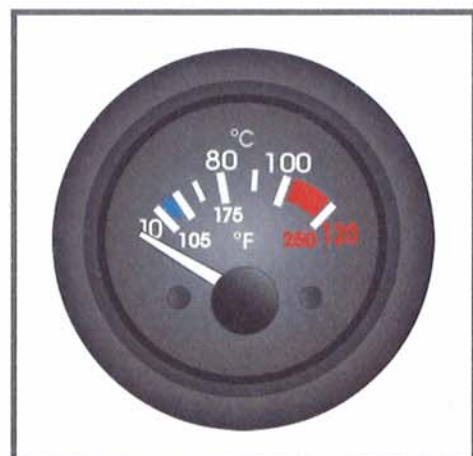




① RPM Gauge ② Coolant Temperature Gauge ③ Battery Volt Meter Gauge

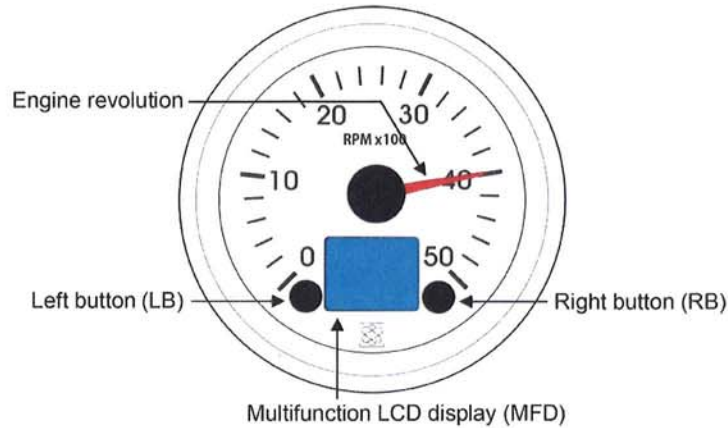
COOLANT TEMPERATURE GAUGE

- When power is ON, this gauge will work.
- Avoid max. rpm and WOT (Wide Open Throttle) before a cold engine is fully warmed up, as it can harm the engine.
- The gauge needle should be in proper range. If the outside temperature is high, the gauge needle may sit at a higher range. As long as the alarm doesn't sound, the engine is normal.
- If the gauge blinks and an alarm sounds in the EOI, check the coolant temperature and level. If the coolant is low, refill it.
- If the temperature of the engine coolant is higher than 105°C, the engine power will decrease. You should check the engine cooling system.



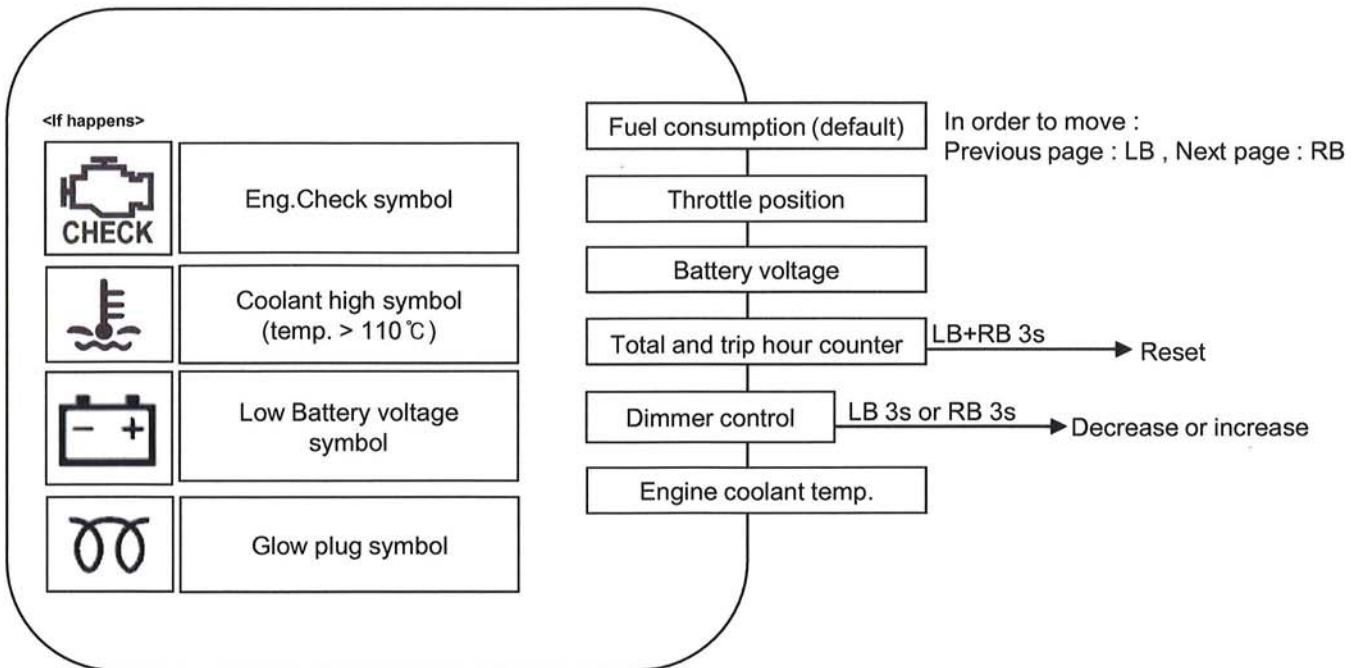
1.3 RPM GAUGE

- 1) When the power is ON, this gauge will work.
- 2) This gauge indicates real-time engine rpm.
- 3) Avoid max. rpm and WOT (Wide Open Throttle) before a cold engine is fully warmed up, as it can harm the engine.



USER INTERFACE

- When press the LB/RB button, the below information change the next information progressively.
- If there is a problem in the engine, the multifunction LDC display(MFD) show the related symbol and alarm.



BATTERY VOLT METER GAUGE

- This gauge will work when the power is “ON”.
- This gauge indicates real-time battery voltage.
- If battery voltage is not sufficient, the engine can not be started.
- For a working engine, 12 ~ 16V volts is normal. If the battery voltage is under 12V, you should check battery and alternator.
- At the moment of engine ignition, the voltmeter needle may momentarily drop to 8V. This is normal.



CUT-OUT FOR GAUGE

- RPM Gauge : Ø 86 mm
- Coolant Temperature Gauge : Ø 53 mm
- Battery Volt Meter Gauge : Ø 53 mm

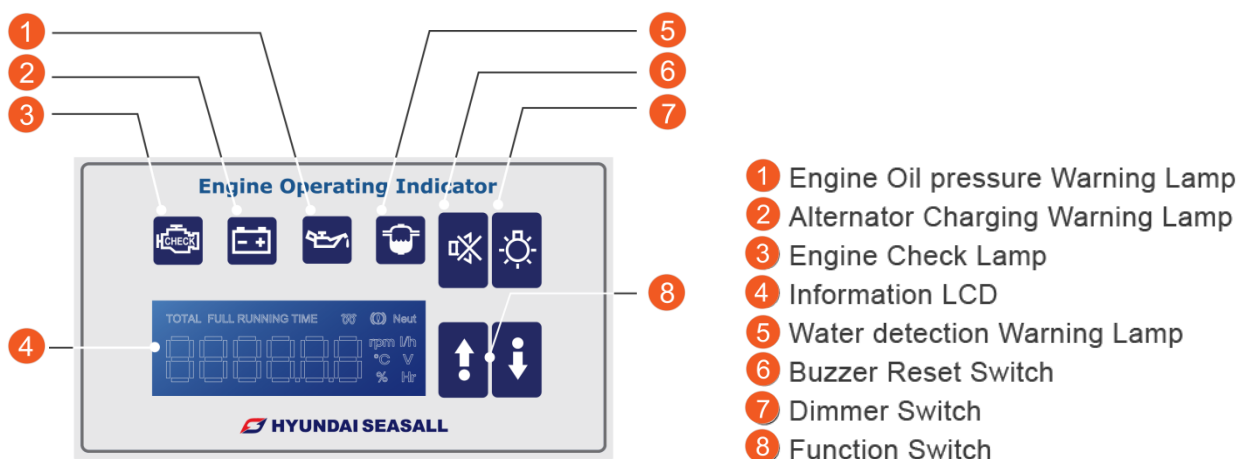
CUT-OUT FOR EOI SYSTEM

- You can use the installation template enclosed with EOI for a cut-out.

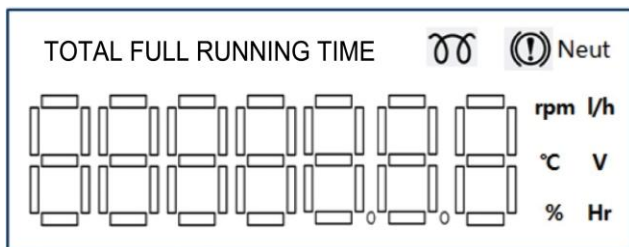
**CHAPTER 9
EOI SYSTEM**



The Engine Operating Indicator (EOI) system gives you a lot of information about the engine's current status. You can hear alarm beeps, or see information including RPM, coolant temperature, warning lamps, error codes and engine working time. If the switch is on, warning lamps for battery, engine oil and so on will flash. When the engine starts normally, the lamps all go off. If there is a problem, the specific lamp will come on. You should contact your nearest dealer and have the engine checked as soon as possible.

OVERVIEW OF EOI SYSTEM



INFORMATION LCD



- | | |
|--------------------------------|--|
| 1) Engine rpm (RPM) | 6) Running Time (Hr) |
| 2) Engine Coolant Temp. (°C) | 7) Total WOT Running Time (Hr) |
| 3) Throttle Lever Position (%) | 8) Glow Plug Indicator lamp  |
| 4) Fuel Consumption (l/h) | 9) Neutral Lever Alarm lamp  Neut |
| 5) Battery Voltage (V) | 10) DTC (Diagnosis Trouble Code) |



SWITCHES

- Buzzer Reset Switch - This switch is used for turning off the alarm temporarily.
- Dimmer Switch - This switch is used for controlling brightness of the other gauges connected to the EOI.
- Function Switch - This switch is used for changing the information display on the LCD.

ALARM LAMPS

Alarm may sound when alarm lamps flicker.

WATER SENSOR LAMP



- This lamp informs you to extract water from fuel filter.
- If the lamp is on, you should stop the engine immediately and drain the water in the fuel filter.
- It is recommended to check and drain the water in the fuel filter at regular periods before the lamp turns on.
- It can be harmful to drive your engine with this lamp on.

ALTERNATOR LAMP



- This lamp informs you to recharge your battery.
- If this lamp is turned on, you should stop the engine and eliminate electric load, as well as check the alternator, alternator drive belt and wiring system.

ENGINE OIL LAMP



- This lamp informs you of the engine oil pressure low.
- If this lamp is on, you should stop the engine and check the oil level with oil gauge. If the oil is low, refill it. If you refill the oil and the lamp still does not turn off, you should ask your local service shop for maintenance.

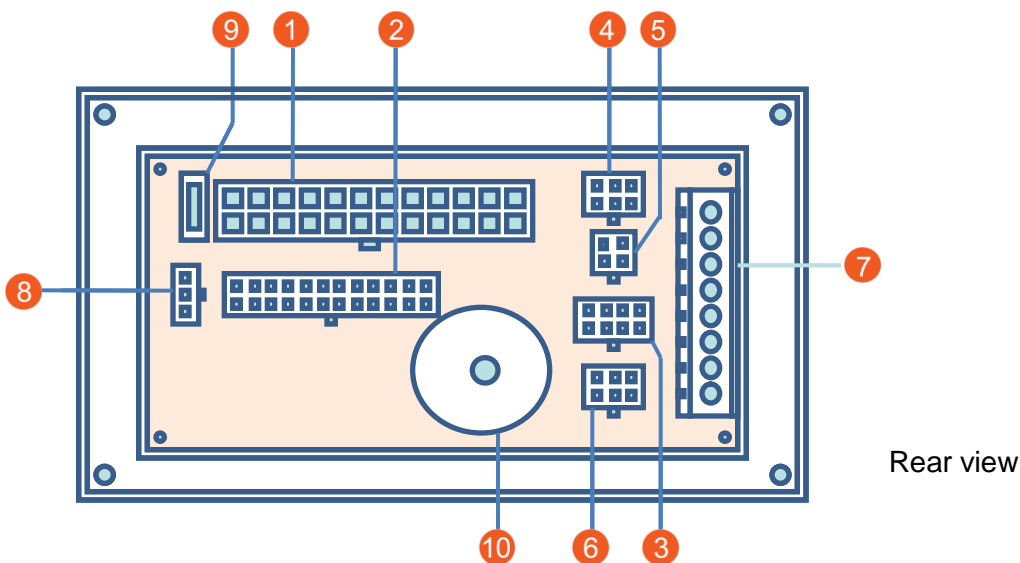
CHECK ENGINE LAMP



- This lamp informs you that the engine has a serious problem.
- You can see the DTC on the LCD of the EOI .
- It may be possible to drive at limited rpm. The ECU will control the functions to protect the engine. You should immediately have the engine checked at the nearest service shop.



EOI CONNECTIONS



- | | |
|--|---|
| 1. Connection plug – CN1 (from engine) | 6. Connection plug – CN6 (service tool) |
| 2. Connection plug – CN2 (to dual EOI) | 7. Connection plug – CN7 (external) |
| 3. Connection plug – CN3 (tachometer) | 8. Connection plug – CN8 (key box) |
| 4. Connection plug – CN4 (coolant temp. gauge) | 9. System power fuse (3 amp) |
| 5. Connection plug – CN5 (volt gauge) | 10. Buzzer |



WARNING

LISTEN FOR A CLICK WHEN FASTENING CONNECTORS. THIS SOUND INDICATES THAT THEY ARE SECURELY LOCKED

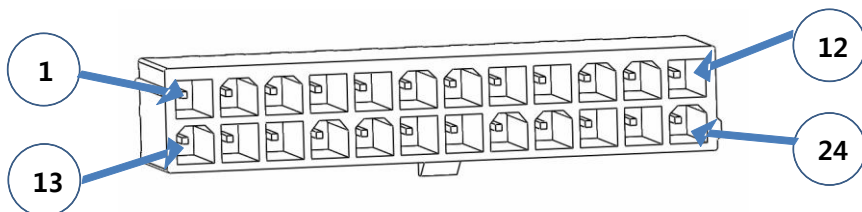


CAUTION

DON'T CONNECT EXTRA INSTRUMENTS WHICH DRAW MORE THAN 1 AMPERE. THE E.O.I WILL BE OVERLOADED AND DAMAGED

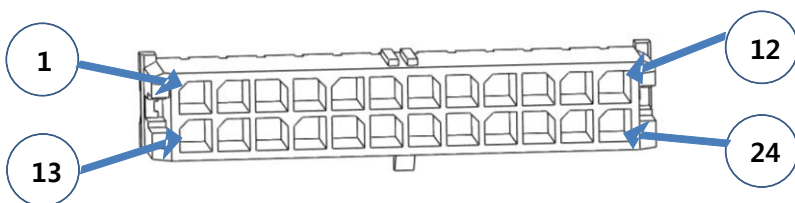
EOI PIN ASSIGNMENT

CN1 (MAIN EOI CONNECTOR FROM ENGINE)



- | | |
|-------------------------------|---------------------|
| 1. Ignition power | 13. RPM signal |
| 2. Main relay power | 14. Spare |
| 3. Permanent power | 15. Spare |
| 4. Not used | 16. Spare |
| 5. Not used | 17. Neutral signal |
| 6. Coolant temperature signal | 18. K line |
| 7. Not used | 19. CAN_L |
| 8. Check lamp | 20. Charging signal |
| 9. Oil pressure signal | 21. CAN_H |
| 10. Ground | 22. Not used |
| 11. Not used | 23. Ground |
| 12. Water detection signal | 24. Not used |

CN2 (DUAL EOI CONNECTOR)

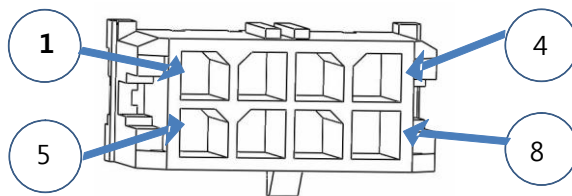


- | | |
|----------------------------|---------------------|
| 1. Ignition power | 13. RPM signal |
| 2. Main relay power | 14. Spare |
| 3. Permanent power | 15. Spare |
| 4. Not used | 16. Spare |
| 5. Not used | 17. Neutral signal |
| 6. Not used | 18. K line |
| 7. Not used | 19. CAN_L |
| 8. Check lamp | 20. Charging signal |
| 9. Oil pressure signal | 21. CAN_H |
| 10. Ground | 22. Not used |
| 11. Not used | 23. Ground |
| 12. Water detection signal | 24. Not used |



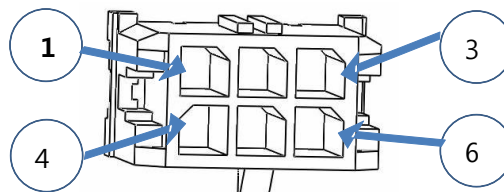
CN3 (TACHOMETER)

1. Main relay power
2. RPM signal
3. Ground
4. Illumination
5. Illumination
6. CAN_H
7. CAN_L
8. Not used



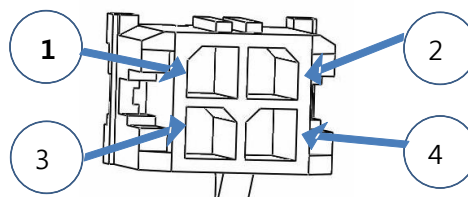
CN4 (COOLANT TEMP. GAUGE)

1. Coolant temperature signal
2. Ignition power
3. Ground
4. Illumination
5. Illumination
6. Not used



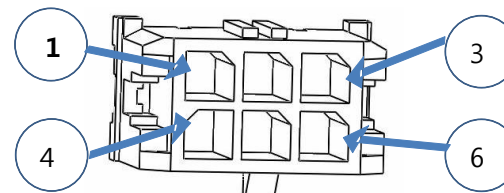
CN5 (VOLT GAUGE)

1. Ignition power
2. Ground
3. Illumination
4. Illumination



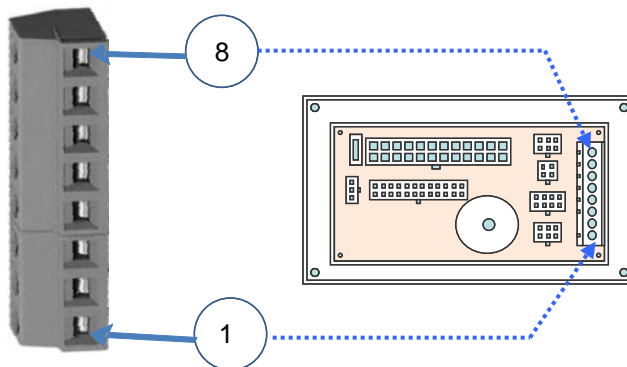
CN6 (SERVICE TOOL)

1. CAN_H
2. CAN_L
3. K_line
4. Ground
5. Main relay power
6. Not used



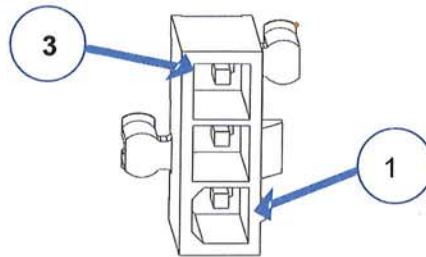
CN7 (EXTERNAL)

1. Ground
2. Permanent power
3. Ignition power
4. Neutral switch
5. Neutral switch
6. Charging signal
7. RPM signal
8. Dimmer



CN8 (Start/Stop panel)

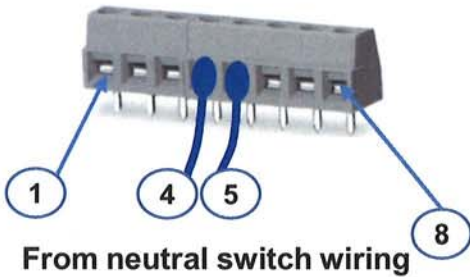
1. Ignition power
2. Starter power
3. Permanent power



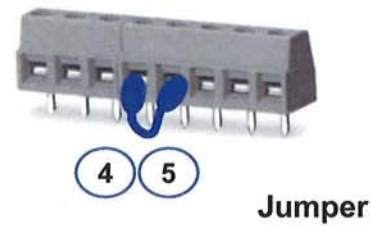
NEUTRAL SWITCH AND DUAL EOI CONNECTION

1) Neutral switch wires should be connected at pin #4 and #5 of the external connector of the EOI. If there is no neutral switch, jumper #4 and #5 with a short jumper wire.

SYSTEM WITH A NEUTRAL SWITCH

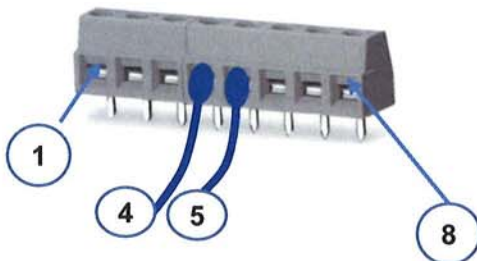


SYSTEM WITH NO NEUTRAL SWITCH



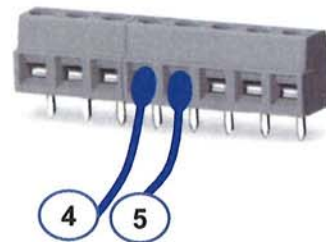
2) If there is a dual EOI, you should connect the wiring between #5 (external connector of the main EOI) and #5 (external connector of the dual EOI)

Main EOI external connector



From neutral switch wiring

Dual EOI external connector



CAUTION

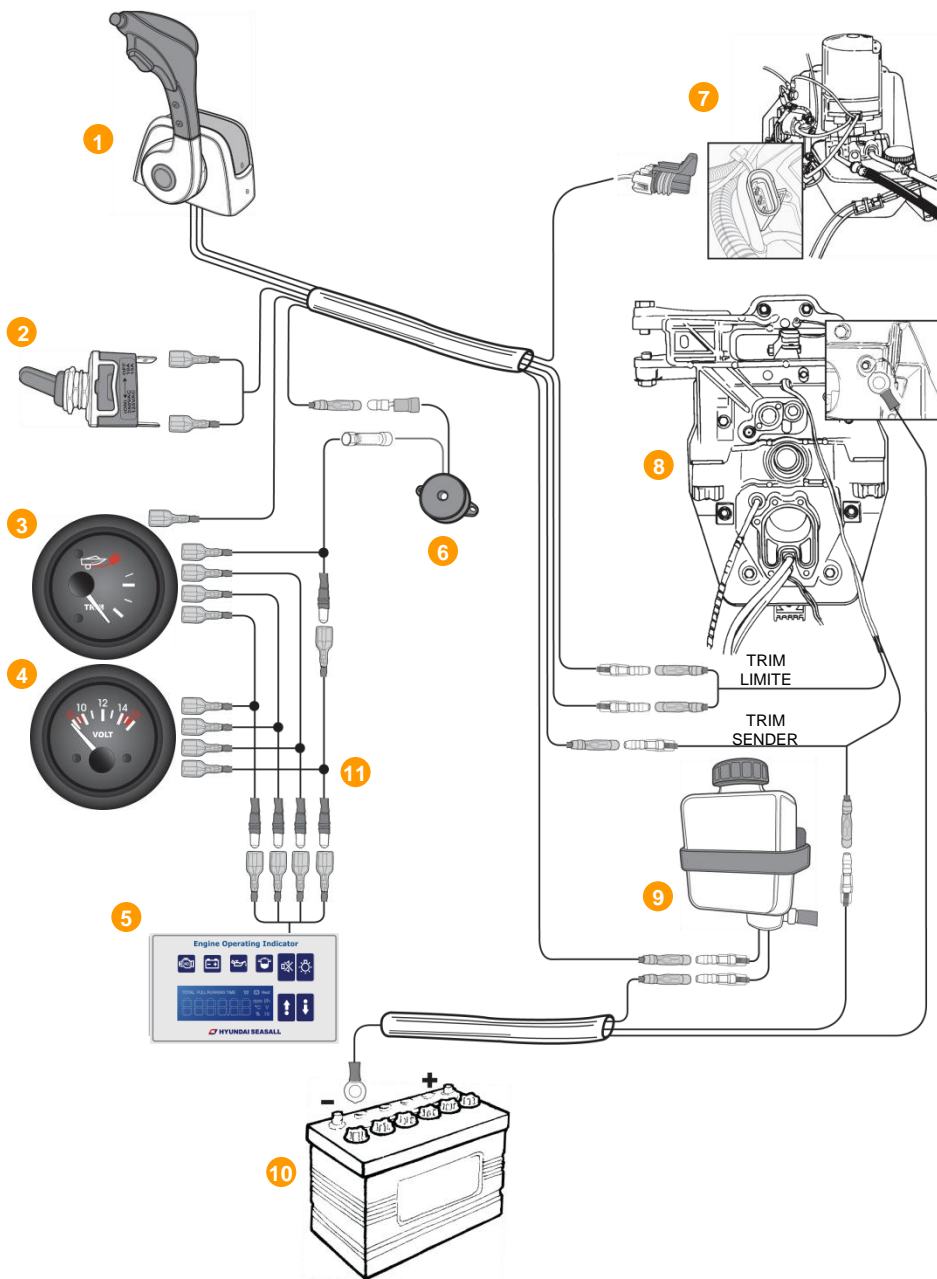
FOR USER'S SAFETY, ENGINE WILL NOT CRANK OR START IF GEAR POSITION LEVER IS NOT IN NEUTRAL OR NOT CONNECTED TO THE EOI EXTERNAL CONNECTION.



INSTALLATION & OPERATION MANUAL

U125 Series Engines

TRIM WIRING CONNECTION DIAGRAM (STERNDRIVES ONLY)



1 REMOTE CONTROL

2 TRAILER SWITCH (SIDE TYPE ONLY)

3 GAUGE-TRIM

4 GAUGE-VOLT

5 E O I

6 BUZZER (DRIVE OIL)

7 TRIM PUMP

8 TRANSOM PLATE

9 GEAR LUBE MONITOR

10 BATTERY

11 GAUGE & LAMP POWER

G-SCAN

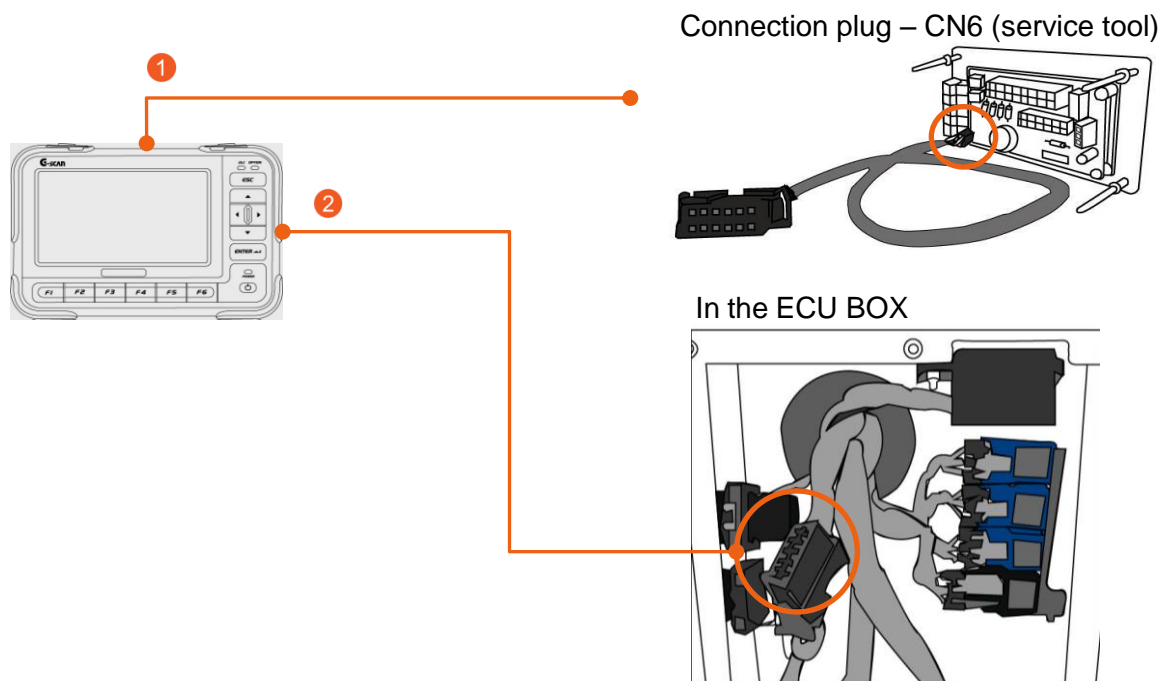
G-scan is diagnosis tool have function the DTC analysis, fault code searching, data analysis and ECU upgrade.



G-SCAN CONNECTIONS

G-scan can be connected to the CN6 connector of EOI, as well as G-scan connector in the ECU box. For information about the CN6 of EOI, please refer to Chapter 9.

※ When connected to G-scan you can not confirm the information of the engine through the EOI.





INSTALLATION & OPERATION MANUAL

U125 Series Engines

ALARM LIST AND DTC(DIAGNOSIS TROUBLE CODE)

If there is a problem with the engine, the EOI display (audible or visible) alarm and related DTC (diagnosis trouble code) will give you information about it. The DTC display is only for initial assistance and to aid communication with a Hyundai SeasAll dealer if there is an emergency. You should contact your nearest Hyundai SeasAll dealer as soon as possible if a system problem arises.

Item	DTC	Description	Fail safety		Alarm		Expectation Cause(s)
			Fuel cut off	Note 1) RPM limit	Lamp	Buzzer	
VGT Variable Geometry turbocharger	Note 2.3) P2263	EVGT controller overheat, learning error Feedback line error	-	○		√	<ul style="list-style-type: none"> • Overload, VGT cooling circuit • VGT actuator adaption error • VGT actuator performance error
	Note 2.3) P2563	PWM failure					
	P0048	Short circuit battery	-			√	<ul style="list-style-type: none"> • VGT actuator circuit • VGT actuator
	P0047	Short circuit ground No Load					
	P0234	Boost pressure higher than target value	-			√	<ul style="list-style-type: none"> • VGT actuator performance error • Air leakage check • Intercooler • VGT actuator performance error
	P0299	Boost pressure lower than target value					
APS1 acceleration position sensor1	P2138	Plausibility With Aps2 Violated	-	1250 rpm fixed		√	<ul style="list-style-type: none"> • APS1/2 sensor circuit • APS sensor • ECM (engine control module)
	P2127	Voltage Above Lower Limit					
	P2123	Voltage Above Upper Limit					
	P0643	Supply Voltage Above Upper Limit					
	P0642	Supply Voltage Below Lower Limit					
APS2 acceleration position sensor2	P2128	Voltage above upper limit	-	-		√	<ul style="list-style-type: none"> • APS1/2 sensor circuit • APS sensor • ECM (engine control module)
	P0653	Supply voltage above upper limit					
	P0652	Supply voltage below lower limit					
CMPS cam position sensor	P0340	No camshaft signal	√ (at starting)	●		√	<ul style="list-style-type: none"> • CMPS circuit • CMPS
	P0341	Wrong camshaft signal					
CKPS crank position sensor	P0335	No crankshaft signal (engine running)	√	-		√	<ul style="list-style-type: none"> • CKPS circuit • CKPS • Target wheel check
	P0336	Wrong crankshaft signal (restart)					
Water detection in fuel	P2264	Water in fuel is detected	-	●		√	<ul style="list-style-type: none"> • Water in fuel, fuel filter (drain out water and check the fuel in fuel tank) • Warning lamp circuit • Water detection sensor error
Cylinder1 injector	P0201	Open load	√	○		√	<ul style="list-style-type: none"> • Injector circuit • Injector
	P0261	Short circuit ground					
	P0262	Short circuit battery					
	P0263	Defect resistance cylinder1, Charging/discharging energy error					
Cylinder2 injector	P0202	Open load	√	○		√	<ul style="list-style-type: none"> • Injector circuit • Injector
	P0264	Short circuit ground					
	P0265	Short circuit battery					
	P0266	Defect resistance cylinder1, Charging/discharging energy error					



INSTALLATION & OPERATION MANUAL

U125 Series Engines

HYUNDAI SEASALL





Item	DTC	Description	Fail safety		Alarm		Expectation Cause(s)
			Fuel cut off	Note 1) RPM limit	Lamp	Buzzer	
Cylinder3 injector	P0203	Open load		○		√	<ul style="list-style-type: none"> • Injector circuit • Injector
	P0267	Short circuit ground	√				
	P0268	Short circuit battery					
	P0269	Defect resistance cylinder1, Charging/discharging energy error	-	-			
Cylinder4 injector	P0204	Open load		○		√	<ul style="list-style-type: none"> • Injector circuit • Injector
	P0270	Short circuit ground	√				
	P0271	Short circuit battery					
	P0272	Defect resistance cylinder1, Charging/discharging energy error	-	-			
Note 2) Cylinder5 injector	P0205	Open load		○		√	<ul style="list-style-type: none"> • Injector circuit • Injector
	P0273	Short circuit ground	√				
	P0274	Short circuit battery					
	P0275	Defect resistance cylinder1, Charging/discharging energy error	-	-			
Note 3) Cylinder6 injector	P0206	Open load		○		√	<ul style="list-style-type: none"> • Injector circuit • Injector
	P0276	Short circuit ground	√				
	P0277	Short circuit battery					
	P0278	Defect resistance cylinder1, Charging/discharging energy error	-	-			
Injector Bank Error	P062D	Bank 1 error	√	-		√	<ul style="list-style-type: none"> • Charging system (battery, alternator check) • ECM
	P062E	Bank 2 error					
Injectors Circuit	P0611	Error path for short circuit of charging s switch is detected	√	-		√	<ul style="list-style-type: none"> • Injectors circuit • ECM
	P0200	Injector circuit error					
RPS rail pressure sensor	P0193	Voltage above upper limit	-	●		√	<ul style="list-style-type: none"> • PRS circuit • PRS • APS 2 power supply circuit • BPS power supply circuit • ECM
	P0192	Voltage below lower limit					
	P0653	Supply voltage above upper limit					
	P0652	Supply voltage below lower limit					
Rail pressure Monitoring	P0087	Maximum positive deviation of rail pressure exceeded	-	○		√	<ul style="list-style-type: none"> • Fuel filter • RPS check • P-PRV , PRV check(stuck)
	P0088	Maximum negative deviation of rail pressure exceeded					
	P1171	Minimum rail pressure exceeded	√	-			
	P1172	Maximum rail pressure exceeded	-	○			
BPS boost pressure sensor	P0238	Voltage above upper limit	-	●		√	<ul style="list-style-type: none"> • BPS circuit • BPS • RPS power supply circuit • APS 2 power supply circuit • ECM
	P0237	Voltage below lower limit					
	P0069	Not plausible with atmospheric pressure sensor		-	-		
	P0653	Supply voltage above upper limit		●		√	
	P0652	Supply voltage below lower limit					



INSTALLATION & OPERATION MANUAL

U125 Series Engines

HYUNDAI SEASALL

Item	DTC	Description	Fail safety		Alarm		Expectation Cause(s)
			Fuel cut off	Note 1) RPM limit	Lamp	Buzzer	
PPRV pump pressure regulator valve	P0254	Short circuit to battery of metering unit output	-	○		√	<ul style="list-style-type: none"> • P-PRV circuit • P-PRV
	P0253	Short circuit to ground of metering unit output	√	-			
		Open load of metering unit output	-	○			
	P0252	Powerstage error	-	○			
PRV (rail) pressure regulator valve	P0092	Short circuit to battery of pressure control valve output	√	-		√	<ul style="list-style-type: none"> • PRV circuit • PRV
	P0091	Short circuit to ground of pressure control valve output					
		Open load of pressure control valve output					
	P0089	Powerstage error					
OPS oil pressure sensor	-	Oil pressure low (below 0.8 bar)	-	-		√	<ul style="list-style-type: none"> • Oil switch, Oil level, Circuit check
Charging Error	-	Charging system error	-	-		√	<ul style="list-style-type: none"> • Alternator, Charging circuit check
E(C)TS engine coolant temp. sensor	-	Coolant temperature high (above 110°C)	-	Depending temp.	EOI LCD Blinking	√	<ul style="list-style-type: none"> • ECTS circuit • ECTS • Cooling line check

Note 1) RPM Limit : ● (Rated rpm - 500rpm), ○ (Rated rpm - 800rpm)

Note 2),3) would be applied to S250/220 models



INSTALLATION & OPERATION MANUAL

U125 Series Engines

HYUNDAI SEASALL

FULL DTC(DIAGNOSIS TROUBLE CODE) LIST

NO	P code	DESCRIPTION
1	P0016	Crankshaft Position – Camshaft Position Correlation
2	P0047	Turbocharger Boost Control Solenoid Circuit Low
3	P0048	Turbocharger Boost Control Solenoid Circuit High
4	P0069	Manifold Absolute Pressure – Barometric Pressure Correlation
5	P0087	Fuel Rail/System Pressure - Too Low
6	P0088	Fuel Rail/System Pressure - Too High
7	P0089	Fuel Pressure Regulator 1 Performance
8	P0091	Fuel Pressure Regulator 1 Control Circuit Low
9	P0092	Fuel Pressure Regulator 1 Control Circuit High
10	P0097	Intake Air Temperature Sensor 2 Circuit Low
11	P0098	Intake Air Temperature Sensor 2 Circuit High
12	P0107	Atmospheric Pressure Sensor Voltage Lower Limit
13	P0108	Atmospheric Pressure Sensor Voltage Upper Limit
14	P0112	Intake Air Temperature Sensor1 Circuit Low Input
15	P0113	Intake Air Temperature Sensor1 Circuit High Input
16	P0116	Engine Coolant Temperature Circuit Range / Performance
17	P0117	Engine Coolant Temperature Circuit Low Input
18	P0118	Engine Coolant Temperature Circuit High Input
19	P0182	Fuel Temp Sensor A Circuit Low Input
20	P0183	Fuel Temp Sensor A Circuit High Input
21	P0192	Fuel Rail Pressure Sensor Circuit Low input
22	P0193	Fuel Rail Pressure Sensor Circuit High Input
23	P0194	Fuel Rail Pressure Sensor Circuit Intermittent
24	P0200	Injector Circuit Error
25	P0201	Cylinder 1 Injector Open Load
26	P0202	Cylinder 2 Injector Open Load
27	P0203	Cylinder 3 Injector Open Load
28	P0204	Cylinder 4 Injector Open Load
29	P0205	Cylinder 5 Injector Open Load
30	P0206	Cylinder 6 Injector Open Load
31	P0231	Fuel Pump Secondary Circuit Low



INSTALLATION & OPERATION MANUAL

U125 Series Engines

HYUNDAI SEASALL

NO	P code	DESCRIPTION
32	P0232	Fuel Pump Secondary Circuit High
33	P0234	Turbocharger Over boost Condition
34	P0237	Turbocharger Boost Sensor "A" Circuit Low
35	P0238	Turbocharger Boost Sensor "A" Circuit High
36	P0252	Injection Pump Fuel Metering Control "A" Range/Performance
37	P0253	Injection Pump Fuel Metering Control "A" Low (Cam/Rotor/Injector)
38	P0254	Injection Pump Fuel Metering Control "A" High (Cam/Rotor/Injector)
39	P0261	Cylinder 1 - Injector Circuit Low
40	P0262	Cylinder 1 - Injector Circuit High
41	P0263	Cylinder 1 Contribution/Balance
42	P0264	Cylinder 2 - Injector Circuit Low
43	P0265	Cylinder 2 - Injector Circuit High
44	P0266	Cylinder 2 Contribution/Balance
45	P0267	Cylinder 3 - Injector Circuit Low
46	P0268	Cylinder 3 - Injector Circuit High
47	P0269	Cylinder 3 Contribution/Balance
48	P0270	Cylinder 4 - Injector Circuit Low
49	P0271	Cylinder 4 - Injector Circuit High
50	P0272	Cylinder 4 Contribution/Balance
51	P0273	Cylinder 5 - Injector Circuit Low
52	P0274	Cylinder 5 - Injector Circuit High
53	P0275	Cylinder 5 Contribution/Balance
54	P0276	Cylinder 6 - Injector Circuit Low
55	P0277	Cylinder 6 - Injector Circuit High
56	P0278	Cylinder 6 Contribution/Balance
57	P0299	Turbocharger Under boost
58	P0300	Random/Multiple Cylinder Misfire Detected
59	P0335	Crankshaft Position Sensor A Circuit
60	P0336	Crankshaft Position Sensor A Circuit Range/Performance
61	P0340	Camshaft Position Sensor A Circuit Malfunction



INSTALLATION & OPERATION MANUAL

U125 Series Engines

HYUNDAI SEASALL

NO	P code	DESCRIPTION
62	P0341	Camshaft Position Sensor A Circuit Range/Performance
63	P0381	Glow Plug/Heater Indicator Circuit
64	P0562	System Voltage Low
65	P0563	System Voltage High
66	P0601	Internal Control Module Memory Check Sum Error
67	P0602	Control Module Programming Error
68	P0604	Internal Control Module Random Access Memory (RAM) Error
69	P0605	Internal Control Module Read Only Memory(ROM) Error
70	P0606	ECM/PCM Processor
71	P0611	Injector Circuit Error
72	P0617	Starter Relay Circuit High
73	P062D	Injector Bank1 Error
74	P062E	Injector Bank2 Error
75	P0650	Malfunction Indicator Lamp(MIL) Control Circuit
76	P0670	Glow Plug Module Control Circuit
77	P0671	Cylinder 1 Glow Plug Circuit
78	P0672	Cylinder 2 Glow Plug Circuit
79	P0673	Cylinder 3 Glow Plug Circuit
80	P0674	Cylinder 4 Glow Plug Circuit
81	P0675	Cylinder 5 Glow Plug Circuit
82	P0676	Cylinder 6 Glow Plug Circuit
83	P0683	Glow Control Module Signal
84	P0684	Glow Control Module Performance
85	P0685	ECM/PCM Power Relay Control Circuit /Open
86	P0642	Sensor Reference Voltage "A" Circuit Low
87	P0643	Sensor Reference Voltage "A" Circuit High
88	P0652	Sensor Reference Voltage "B" Circuit Low
89	P0653	Sensor Reference Voltage "B" Circuit High
90	P0698	Sensor Reference Voltage "C" Circuit Low
91	P0699	Sensor Reference Voltage "C" Circuit High
92	P1145	Overrun Monitoring



INSTALLATION & OPERATION MANUAL

U125 Series Engines

HYUNDAI SEASALL

NO	P code	DESCRIPTION
93	P1171	Minimum Rail Pressure Exceeded
94	P1172	Maximum Rail Pressure Exceeded
95	P1173	Set Value of PCV not in Plausibility Range
96	P1185	Maximum Pressure Exceeded
97	P1186	Minimum Pressure at Engine Speed Too Low
98	P1187	Regulator Valve Stick
99	P1188	Leakage
100	P12BF	ECU torque monitoring - Not plausible signal
101	P1302	ECU torque monitoring - ADC error
102	P1307	Acceleration Sensor Range/Performance
103	P1308	Acceleration Sensor Circuit Low Input
104	P1309	Acceleration Sensor Circuit High Input
105	P1325	Glow Relay Malfunction
106	P1636	Voltage Regulator for Injector
107	P1652	Ignition Key No Signal
108	P1653	After-Run Check Error
109	P1655	Tachometer Output Fault
110	P1670	Invalid Injector IQA/C2I
111	P1671	Injector IQA Checksum Error
112	P1679	EMS Data Fail (Data frame, CS, Message error)
113	P1694	EMS Message Error
114	P1695	EMS Memory Error
115	P1697	HI-SCAN message Error
116	P2009	Variable Swirl Actuator Control Circuit Low(Bank 1)
117	P2010	Variable Swirl Actuator Control Circuit High(Bank 1)
118	P2015	Variable Swirl Actuator Position Sensor/Switch Circuit Range/Performance
119	P2016	Variable Swirl Actuator Position Sensor/Switch Circuit Low
120	P2017	Variable Swirl Actuator Position Sensor/Switch Circuit High
121	P2122	Throttle/Pedal Position Sensor/Switch "D" Circuit Low Input
122	P2123	Throttle/Pedal Position Sensor/Switch "D" Circuit High Input
123	P2127	Throttle/Pedal Position Sensor/Switch "E" Circuit Low Input
124	P2128	Throttle/Pedal Position Sensor/Switch "E" Circuit High Input



INSTALLATION & OPERATION MANUAL

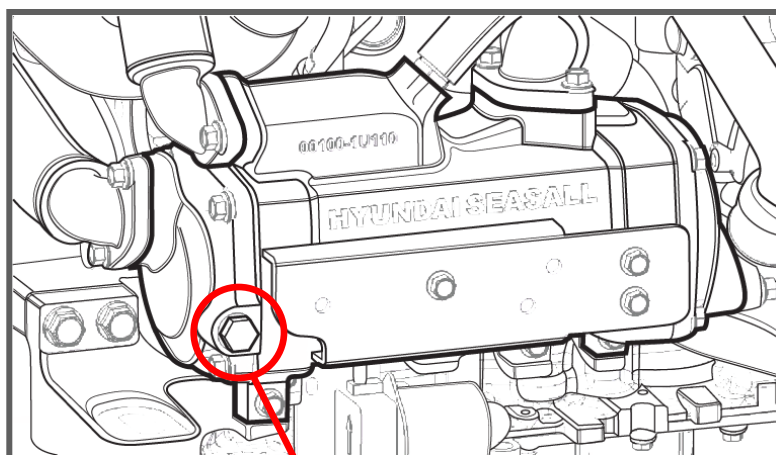
U125 Series Engines

HYUNDAI SEASALL

NO	P code	DESCRIPTION
125	P2138	Throttle/Pedal Position Sensor/Switch "D" / "E" Voltage Correlation
126	P2299	Brake Pedal Position / Accelerator Pedal Position Incompatible
127	P2228	Manifold Absolute Pressure/Barometric Pressure Circuit Low Input
128	P2229	Manifold Absolute Pressure/Barometric Pressure Circuit High Input
129	P2262	Turbocharger Boost Pressure Not Detected - Mechanical
130	P2263	Turbocharger Boost System Performance
131	P2264	Water in Fuel Sensor Circuit
132	P2562	Turbocharger Boost Control Position Sensor "A" Circuit
133	P2563	Turbocharger Boost Control Position Sensor "A" Circuit Range/Performance
134	P2564	Turbocharger Boost Control Position Sensor "A" Circuit Low
135	P2565	Turbocharger Boost Control Position Sensor "A" Circuit High
136	P2566	Turbocharger Boost Control Position Sensor "A" Circuit Intermittent
137	U0001	High Speed CAN Communication Bus
138	U0100	Faults in CAN a Transmit Messages

CHAPTER 10

ANTI CORROSION SYSTEM



Heat exchanger

Sacrificial anodes



1) Sacrificial anode must be replace every 250hr

The sacrificial anode check especially frequently when used in saltwater. It is recommended to replace the sacrificial anode at the start of each season.

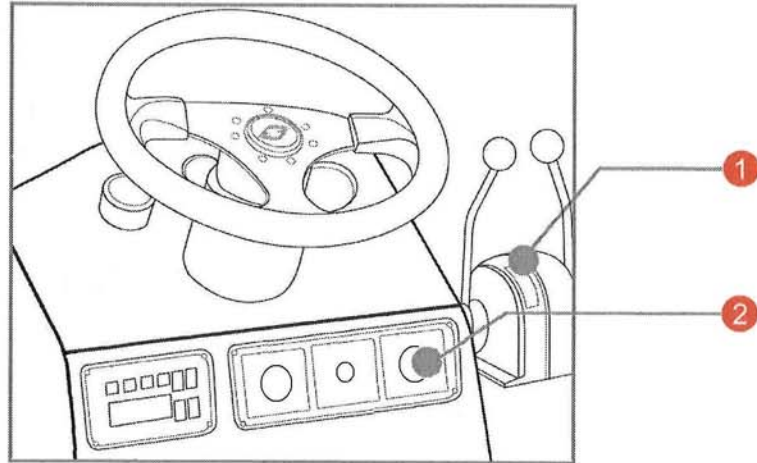


CAUTION

- DON'T OPERATE ENGINE WITHOUT ANODES. IT IS HARMFUL TO YOUR ENGINE.
- CLOSE THE SEAWATER VALVE BEFORE THIS MAINTENANCE.
- MAKE SURE TO CHECK THE ANODE PLUG IN ACCORDANCE WITH THIS MANUAL: DON'T LOOSEN COOLANT DRAIN PLUG.

CHAPTER 11
ENGINE OPERATION

1. ENGINE ON/OFF



- 1) Before starting the engine, you should check engine oil, coolant, gearbox oil, fuel gauge, raw water pump, battery, and so on.
- 2) When you start the engine, check that the engine throttle lever① is at neutral position. If not, the engine may not start or there is possibility of shooting off. Especially if your boat is equipped with a neutral safety lever, when the engine throttle lever is not at neutral position, you can't crank. You can also check this on the EOI.
- 3) After starting the engine, release the push button ② immediately to prevent damage to the start motor.
- 5) Avoid max. rpm and WOT(Wide Open Throttle) before the cold engine is fully warmed up.
- 6) At a cold start, it takes a few or more seconds to start the engine.
- 7) If the engine does not start in 10 seconds, release the button. After 10 seconds try again. This method can help avoid start-motor damage.



WARNING

DO NOT DRIVE IN SPACE WHERE THERE IS NO AIR CIRCULATION.
EMISSION GAS IS HARMFUL.

2. ENGINE BREAK-IN

Initial Break-in Procedure

The first 20 hours of operation is the engine break-in period. During this period, it is important that the engine is operated as outlined below.

- 1) DO NOT operate engine at idle rpm for extended periods of time during the first 10 hours.
- 2) DO NOT operate at any one constant speed for extended periods of time.
- 3) DO NOT exceed 75% of full throttle during the first 10 hours except during the engine initial Break-In Procedure. After the next 10 hours, occasional operating at full throttle (5 minutes at a time maximum) is permissible.
- 4) AVOID full throttle accelerations from neutral position.
- 5) DO NOT operate at all full throttle until engine reaches normal operating temperature.
- 6) FREQUENTLY CHECK engine oil level and add oil if necessary.

STOPPING THE ENGINE

The engine should be run for a few minute at idle (in neutral) before turning it off. This will avoid boiling the cooling system and even out the temperature.

This is especially important if the engine has been operated at high engine speeds and/or with heavy loads.

Shutting down the engine in this fashion will extend the life of your engine.

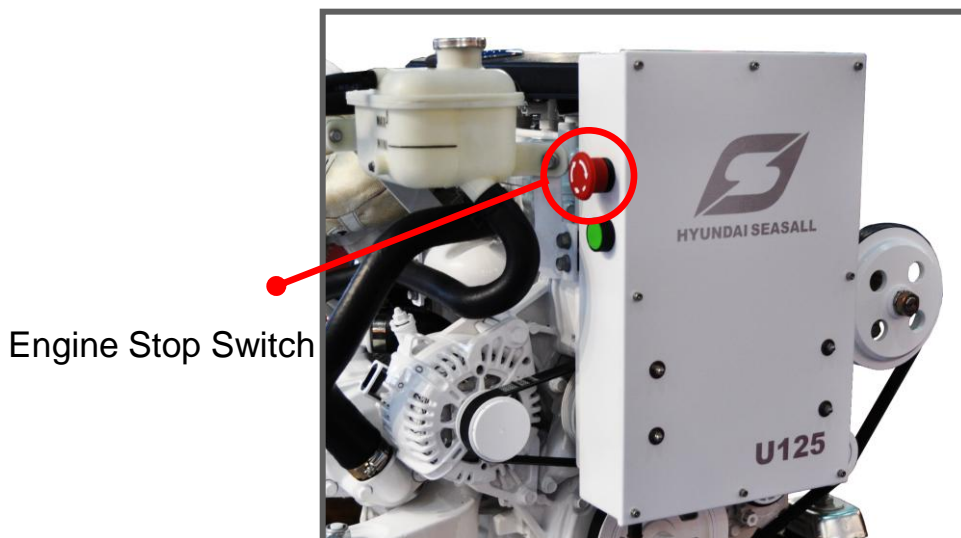


WARNING

DO NOT OPERATE IN SPACES WHERE THERE IS NO AIR CIRCULATION. EXHAUST GAS IS HARMFUL.

3.EMERGENCY STOP

- You can stop the engine by pushing this button. After releasing the switch by twisting the button, you can start the engine again. (Normally, the button should be in the “out” position.)
- When the switch is pressed or it doesn't work normally, the engine doesn't crank. We recommend that you check this switch first if there is any cranking problem.
- You can use this switch to avoid unexpected engine starting during maintenance.
- You can use this switch in any emergency situation when you want to stop the engine.



CHAPTER 12
ENGINE STORAGE

The major consideration in preparing your engine for storage is to protect it from rust, corrosion, and damage caused by freezing of trapped water.

The following storage procedures should be followed to prepare your engine for out-of-season storage or prolonged storage (two months or longer and/or winter storage) :

CHECK LIST
• Visual inspection for leaks and damage
• Change engine oil and oil filter
• Replace fuel filter
• Check air filter element and clean if necessary
• Check engine coolant level and top up if necessary
• Check impeller and replace if necessary
• Check anodes and replace if necessary
• Clean the engine
• Flush and drain seawater cooling system
• Fill fuel tank until full and inspect the fuel system
• Remove the battery and store in a cool, dry place



CAUTION
FOR WINTER STORAGE, SEAWATER SHOULD BE DRAINED FULLY BY LOOSENING THE HEAT EXCHANGER ANODE. REFER TO CHAPTER 10.



WINTER STORAGE

Protect your engine from freezing and corrosion damage by following the procedures indicated below.

• LUBRICATION SYSTEM

- Start the engine and allow it to reach normal operating temperature.
- Turn off the engine. Drain the engine oil using the oil extraction pump. If the oil extraction pump is not installed, drain oil by removing the oil pan drain plug.
- Change the oil and oil filter and refill the engine with new oil according to technical maintenance specifications.
- Check the oil level on the dipstick and if necessary add more oil to reach the correct oil level.

• FUEL SYSTEM

- Check for fuel leaks where the line from the fuel tank connects to the engine. Tighten or replace the connection if necessary.
- Close the fuel valve. Clean the water separating fuel filter. Replace the filter element.
- After replacing the filter element, open the fuel valve to fill the entire fuel circulation line.
- Fill the fuel tank with fresh fuel to avoid condensation in the fuel tank.
- Close the fuel valve.

• COOLING SYSTEM

- Close the water valve.
- Connect a freshwater source to the seawater inlet. Run the engine at idle to flush all seawater out of the system.
- Fill the cooling system (seawater side) with a 30~50% solution of anti-freeze. Circulate into the seawater system by running the engine.

• COOLING SYSTEM

- **IF** the seawater system is not filled with an antifreeze solution as per the instructions above, completely drain the seawater system by removing the heat exchanger and intercooler anodes.
- Remove the sea water pump impeller and store in a dark place out of sunlight.
- Check all connections with inlet hoses. Tighten or replace the connection if necessary.
- Replace or Check the cooling system 500 hours and every two years.
(Heat exchanger & Inter-cooler)

• INTAKE SYSTEM

- Remove the air filter from engine.
- Clean the air filter.
- Intake part should be kept hermetically sealed.

• ELECTRICAL SYSTEM

- Disconnect the battery (-) cable to system ground
- Disconnect the battery (+) cable.
- Clean the battery cable and terminals.
- Coat the terminal connection with a battery terminal anti-corrosion agent.
- Whenever the battery will be stored for an extended period of time, be sure the cells are full of battery is fully charged.



CHAPTER 13 MAINTENANCE

1. THE INITIAL RUNNING CHECK

- BEFORE THE WATER TEST

	Y	N
Seawater inlet valve open		
Engine coolant level		
Cooling system hose clamps tight		
Engine oil level		
Power steering fluid level		
Drive belt tension		
All electrical connections tight		
EOI warning system operating		
Battery fully charged and secured		
All fuel connection tight		
Exhaust system hose clamps tight		
Engine mount tight		
Engine alignment		
Correct rotation propeller (Installed and torque)		
Engine coolant and oil drain plug closed		
Throttle, shift and steering system fasteners tightened properly		

- AFTER THE WATER TEST

Fuel, oil, coolant, water and fluid leaks		
Oil and fluid level		
Propeller nut torque		

- ON THE WATER TEST

	Y	N
Boat drain plug in place (Check before putting boat in water)		
Seawater pump operation		
Seawater strainer correctly mounted , Clean and tightly closed		
Engine alignment (propulsion only)		
Fuel leaks		
Oil leaks		
Coolant leaks		
Water leaks		
Exhaust leaks		
EOI and gauges operation		
Engine emergency stop switch operation		
Idle RPM, within specifications		
WOT RPM, within specifications (in forward gear)		

- PROPULSION CHECKS

Stern drive unit oil level		
Power trim oil level (stern drives)		
Drive unit fasteners torque		
Power trim cylinders fasteners tight		
Propeller nut torque		
Transmission fluid level		
Steering operation throughout range		
Power trim operation (stern drives)		
Forward - Neutral - Reverse gear operation		



INSTALLATION & OPERATION MANUAL

U125 Series Engines

HYUNDAI SEASALL

2.MAINTENANCE SCHEDULE

○ : Check/Clean, ◇ : Check (Replace if necessary), ● : Replace

Item	Interval	Which ever comes first				
		Daily	Every 250 Hours / 1 years	Every 500 Hours / 2 years	Every 1,000 Hours / 4 years	Every 1,500 Hours / 5 years
Coolant level and leakage1)		○				
Sea water strainer		○				
Exhaust system leakage		○				
Fuel system leakage		○				
Engine oil level and leakage		○				
Battery voltage		○				
Steering system oil level and leakage		○				
Transmission ²⁾ oil level and leakage		○				
Fuel filter and water separator			●			
Engine oil and oil filter			●			
Sacrificial anode			●			
Connection and contamination in electric system.			◇			
Loose of the bolts and nuts.			◇			
Loose and the damaged hose clamps			◇			
Exhaust bellows			◇	●		
Sea water pump impeller			◇	●		
Air filter			◇		●	
Engine Mount			◇		●	
Drive belt				◇		●
Heat Exchanger (included tube bundle)				◇		●
Intercooler (included tube bundle)				◇		●
Turbocharger					◇	

Replace the coolant every 2 years.

For more detailed transmission, follow the transmission manufacturer's manual.

* NOTE : These procedures are considered normal maintenance.



CAUTION
YOU SHOULD EXERCISE THE UTMOST CARE TO PREVENT ENGINE DAMAGE OR INJURY TO YOURSELF WHENEVER PERFORMING ANY MAINTENANCE.



3. STERNDRIVE & TRANSMISSION MAINTENANCE SCHEDULE

Maintenance item	Maintenance intervals	Whichever comes first	
		Daily	100h / 1year
Check sterndrive unit oil level (Transmission)		●	
Trim pump oil level		●	
Steering fluid level		●	
Check water pickups for debris or marine growth		●	
Check water strainer and clean		●	
Inspect sterndrive unit anodes and replace if 50% eroded		●	
Lubricate propeller shaft and the retorque nut		●	
Touch-up power package paint and spray with Corrosion Guard (Transmission)			●
Change sterndrive unit oil (Transmission)			●
Retorque connection of gimbalring to steering shaft			●
Check steering system and remote control for loose, missing or damaged parts			●
Lubricate cables and linkages			●
Inspect U-joints, splines and bellows. Lubricate U-joints splines			●
Check engine alignment			●
Check gimbal bearing and engine coupler			●
Check continuity circuit for loose or damaged connetions			●
Check Mercathode unit			●

Filter replacement (ZF Transmission)

- 1) The first replacement must be preformed after 25 hours of operation.
- 2) The oil must be changed whenever the filter is replaced.



CAUTION
 YOU SHOULD EXERCISE THE UTMOST CARE TO PREVENT ENGINE DAMAGE OR INJURY TO YOURSELF WHENEVER PERFORMING ANY MAINTENANCE.

CHAPTER 14
TROUBLESHOOTING GUIDE

■ Starter motor does not crank the engine

Possible Causes	
•Engine stop switch “ON” position •Safety Stop Switch activated	•Engine is not shifted to neutral position •Wrong neutral switch connection to EOI
•Weak battery or battery connections are loose or corroded	•Starter motor solenoid or slave solenoid failure
•Ignition key switch failure	•Blown fuse at EOI
•Wiring or electrical connection fault	•Defective ECU

■ Engine cranks but does not start

Possible Causes	
•Weak battery or bad starter motor	•Low fuel pressure
•No fuel	•Low compression pressure
•ECU not functioning	•Crank position sensor not functioning
•Incorrect starting procedure	•Fuel is not reaching the engine
•Faulty fuel filter or electric fuel pump	•Bad fuel quality or water in fuel
•Faulty fuse	•Faulty injector

■ Engine starts with difficulty or starts and stalls

Possible Causes	
•Low fuel pressure in fuel rail	•Fuel return line not connected at injector
•Leakage in high pressure fuel circuit	•Faulty alternator or voltage regulator
•Faulty fuse	•No engine coolant temperature sensor signal
•No rail pressure sensor signal	•Low battery voltage
•Oil level too high or too low	•Low compression pressure
•ECU program error or hardware fault	•Clogged fuel filter

■ Engine idle is rough

Possible Causes	
•Fuel return line not connected at injector	•Low compression pressure
•No rail pressure sensor signal	•Injector clamp poorly tightened
•Wiring harness open or poor connection	•Faulty high pressure fuel pump
•Bad fuel quality or water in fuel	•Faulty injector
•Clogged fuel filter / air filter	•Carbon deposit on the injector



■ Engine rattling, noisy engine

Possible Causes	
•Compensation of individual injector not adapted	•No engine coolant temperature sensor signal
•Low compression pressure	•Clogged injector return line
•No rail pressure sensor signal	•Faulty injector
•Poor injector O-ring	•Carbon deposit on the injector

■ Uneven acceleration / deceleration

Possible Causes	
•Intermittent faulty fuel line connection	•Oil suction
•No rail pressure sensor signal	•ECU program error or hardware fault
•Leakage in intake system	•Damaged turbocharger or leakage in vacuum line
•Clogged fuel filter	•Low compression pressure
•Leakage in high pressure fuel circuit	•Injector needle stuck

■ Engine stop

Possible Causes	
•Run out of fuel / Safety Stop Switch activated	•Crank signals missing
•Fuel feed line not connected	•Fuel pressure regulator valve contaminated, stuck, jammed
•Leakage in high pressure fuel circuit	•Rail pressure regulator valve contaminated, stuck, jammed
•Fuel out of specification	•Faulty alternator or voltage regulator
•Bad fuel quality or water in fuel	•Faulty high/low pressure fuel pump
•Clogged low pressure fuel circuit	•ECU program error or hardware fault

■ Performance loss

Possible Causes	
•Compensation of individual injector not adapted	•Leakage at the injector
•Clogged air filter	•Fuel or intake air temperature too high
•Oil level too high or too low	•Engine coolant temperature too high
•Damaged turbocharger or intake air leakage	•Low compression pressure
•Clogged fuel filter	•Poor valve clearance



CHAPTER 15

WARRANTY

HYUNDAI SEASALL RATING CATEGORIES FOR MARINE ENGINE

S5 : Pleasure Duty

- Full power operation restricted to within 10% of total use period
- Cruising speed (RPM) at engine RPM < 90% of rated speed (RPM)
- Operating less than 400 hours per year

S4 : Special Pleasure Duty / Special Light Duty Commercial

- Full power operation restricted to within 10% of total use period
- Cruising speed (RPM) at engine RPM < 90% of rated speed (RPM)
- Operating less than 1,000 hours per year

S3 : Light Duty Commercial

- Full power operation restricted to within 20% of total use period
- Cruising speed (RPM) at engine RPM < 90% of rated speed (RPM)
- Operating less than 1,500 hours per year

S2 : Medium Duty Commercial

- Full power operation restricted to within 30% of total use period
- Cruising speed (RPM) at engine RPM < 90% of rated speed (RPM)
- Operating less than 3,000 hours per year

S1 : Heavy Duty Commercial

- Uninterrupted and unlimited use at full power.

APPLICATION OF WARRANTY COVERAGE

Warranty coverage is available only to retail customers who purchase from a dealer authorized by Hyundai SeasAll to distribute the product in the country in which the sale occurred, and then only after the Hyundai SeasAll specified pre-delivery inspection process is completed and documented. Warranty coverage becomes available upon proper registration of the product by the authorized dealer. Routine maintenance outlined in the Installation and Operation Manual must be performed in a timely fashion in order to obtain warranty coverage. Hyundai SeasAll reserves the right to make any warranty coverage contingent upon proof of proper maintenance.

This warranty may be rendered invalid at Hyundai SeasAll's discretion based upon:

- 1) Modifications not authorized by Hyundai SeasAll
- 2) Handling errors
- 3) Improperly performed Pre-Delivery Inspection
- 4) Unsuitable fuels, coolant or lubricants
- 5) Using the engine outside of the specified duty cycle rating
- 6) Overloading
- 7) Improperly performed repairs
- 8) Improper maintenance interval(s)
- 9) No submitted Pre-Delivery Inspection Card and Warranty Registration Card



INSTALLATION & OPERATION MANUAL

U125 Series Engines

DURATION OF WARRANTY

Leisure Applications

Engine	Rating	Base Engine		Extended Major Components (Includes Base Engine Warranty)	
		year	hour	year	hour
S250/D170/U125	S5	2	1,000	4	2,000
**H380/L500	S5	2	-	4	5,000

** Operating less than 1,500 hours per year and Full Power operation < 10% of total use period

- Warranty period is limited by Years or Hours whichever occurs first.
- Major Components : Engine Block Casting, Crankshaft Forging, Connecting Rods, Camshaft Forging, Transmission Cover/Housing, Flywheel Housing, Intake Manifold, Fresh Water Pump Housing and Oil Pan.
- Cylinder Liner or Cylinder Bore scratches are not included in extended major part warranty coverage.

Commercial Applications

Engine	Rating	Base Engine		Extended Major Components (Includes Base Engine Warranty)	
		year	hour	year	hour
S250/D170/U125	S4	1	1,000	3	2,000
S220/D150	S3	1	1,500	3	6,500
H380/L500	S1	1	5,000	3	10,000

- Warranty period is limited by Years or Hours whichever occurs first.
- Major Components : Engine Block Casting, Crankshaft Forging, Connecting Rods, Camshaft Forging, Transmission Cover/Housing, Flywheel Housing, Intake Manifold, Fresh Water Pump Housing and Oil Pan.
- Cylinder Liner or Cylinder Bore scratches are not included in extended major part warranty coverage.

Hyundai SeasAll Rating Categories For Marine Auxiliary Engine (Ratings in accordance with ISO 8528)

Standby Power

- 1) Operating less than 500 hours per year with average 90% load of the declared Standby Power
- 2) No overload capability is available for this rating.

Prime Power

- 1) Average power operation is not exceed 70% of the declared Prime Power.
- 2) A 10% overload is permissible for 1 hour per 12 hours of operation.
- 3) Maximum prime power shall not exceed 500 hours per year.



Marin Auxiliary Engine

Engine	Rating	Base Engine		Extended Major Components (Included Base Engine Warranty)	
		year	hour	year	Hour
L500G	Standby Power	2	1,000	4	3,000
H350G/L460G	Prime Power	1	-	3	10,000

WARRANTY STARTING DATE

Warranty Begins:

- 1) When engine is delivered to the first retail purchaser
- 2) When the engine is first leased or rented
- 3) When the engine is operated for greater than 10 hours, whichever occurs first.
- 4) When the products reaches the first day of the 7 month after the product has been shipped from Hyundai SeasAll, the warranty date will be started automatically. If you submit the “Pre-Delivery Inspection Card” and “Warranty Registration Card”, the starting date can be changed to the date on your documents.

WARRANTY REGISTRATION

Warranty Registration Card must be submitted to Hyundai SeasAll within 30 days of the Warranty Starting Date. The Warranty Registration Card identifies information on customer and product, models and serial numbers, date of sale, type of use and the selling dealer etc. ***If the ‘Warranty Registration Card’ and ‘Pre-Delivery Inspection Card’ are not approved or not submitted to Hyundai SeasAll within 30 days from Warranty Starting Date , Hyundai SeasAll reserves the right to decline warranty reimbursement.***

TRANSFER OF WARRANTY COVERAGE BETWEEN OWNERS

This limited warranty is transferable to a subsequent purchaser, but only for the remainder of the unused portion of the limited warranty. To transfer the warranty to the subsequent owner, the revised “Warranty Registration Card” and “Pre-Delivery Inspection Card” should be submitted to Hyundai SeasAll’s distributor or dealer. Upon processing the transfer of warranty, Hyundai SeasAll will verify the warranty registration of the new owner.

WHAT HYUNDAI SEASALL WILL DO

Hyundai SeasAll will pay for all parts and labor needed to repair the damage to the product resulting from a defect in materials or factory workmanship.

The warranty does not apply to any damage or defect that is the result of abnormal use or carelessness.

The repair or replacement of parts, or the performance of service under this warranty does not extend the life of this warranty beyond its original expiration date.



OWNER'S OBLIGATIONS

It is the owner's obligation to install, operate, maintain and care for Hyundai SeasAll engines in accordance with the instructions and requirements stated in the Installation and Operation Manual. The owner is responsible for providing enough time and cooperation to get the engine repaired by an authorized dealer, and to deliver it to a proper facility for repair.

The owner is responsible for the cost for warranty inspection, including hauling out, launching and transportation.

BUSINESS PARTNER'S OBLIGATIONS

It is Hyundai SeasAll's Distributor and/or Dealer's responsibility to support the retail customer with prompt diagnosis and repair whether or not the engine was sold by the servicing dealer or by the Distributor responsible for the territory.

It is Hyundai SeasAll's Distributor's responsibility to communicate all warranty issues to the factory in a timely manner so that they can be quickly resolved.

HOW TO OBTAIN WARRANTY COVERAGE

The customer must provide Hyundai SeasAll with a reasonable opportunity to repair the engine, as well as reasonable access to the product for warranty service. Warranty claims shall be made to a Hyundai SeasAll Authorized Repair Facility to service the product. Purchaser shall not, unless requested by Hyundai SeasAll, ship the product or parts of the product directly to Hyundai SeasAll. The warranty registration card is the only valid registration identification and must be presented to the dealer at the time warranty service is requested in order to obtain coverage.

WHAT IS COVERED

Hyundai SeasAll warrants its products to be free of defects in material and workmanship during the warranty period.

LIMITATIONS – EXPENDABLE PARTS

Not included are the following expendable parts:

- Filters : fuel filter, engine oil filter, air filter
- Lubricants : engine oil, coolant, power steering oil.
- Rubber products : seawater pump impeller, rubber hoses, belts, engine coupler, rubber isolation mounts, bellows.
- Gaskets, anodes.



WHAT IS NOT COVERED

- Fuel injector or filter cleaning
- Belt, cable adjustments or lubrication checks made in connection with normal services.
- Damage caused by neglect, lack of maintenance, accidents, abnormal operation, improper installation or service, unapproved modifications or freezing temperatures.
- Haul-out (crane), launching or towing charges, removal and/or replacement of boat partitions or material for necessary access to the product, all related transportation charges and/or travel time, etc.
- All incidental and/or consequential damages (storage charges, telephone or rental charges of any type, inconvenience or loss of time or income) are the owner's responsibility.
- Use of other than Hyundai SeasAll genuine replacement parts when making warranty repairs.
- Participating in or preparing for racing or other competitive activity.
- Water entering the engine via the air inlet filter or exhaust system or submersion. Water in the starter motor.
- Failure of any parts caused by lack of cooling water.
- Damage caused by blockage of the cooling system by foreign matter.
- Use of fuels and lubricants that are not suitable for use with or on the product as specified in the Installation and Operation Manual.
- Normal wear and tear
- Storage damage (partially painting scratch)
- Cost resulting from ineffective or repeated repairs; improper repairs due to misdiagnosis.
- Owner's personal cost (indirect loss) resulting from maintenance

TRANSMISSION AND STERNDRIVE WARRANTIES

Transmissions and drive systems (ZF Marine, Mercury etc.) are covered under separate warranties, provided and serviced by those companies. For information on those warranties, please see the separate booklets included in the original packaging of your Hyundai SeasAll purchase.

This card is essential for registration of the customer's warranty.
 Please fill out the following registration card in English.

Date of sale

Month	Day	Year

If Warranty Transfer , Check box

OWNER'S INFORMATION

Name or Company		E-Mail Address	
Country		State / Province / City	
Operating Location			

DEALER INFORMATION

Dealer / Installer		Distributor Name	
City		E-Mail Address	

ENGINE INFORMATION

Number of Engines	Single <input type="checkbox"/>	Dual <input type="checkbox"/>
-------------------	---------------------------------	-------------------------------

Engine Model		Gear Model	
Engine Serial No.		Gear/Drive Serial No.	
		Transom Serial No.	

Engine Model		Gear Model	
Engine Serial No.		Gear/Drive Serial No.	
		Transom Serial No.	

BOAT INFORMATION

REPOWER

Manufacturer		Material	Steel <input type="checkbox"/>	Alu. <input type="checkbox"/>	FRP <input type="checkbox"/>	Wood. <input type="checkbox"/>	
Model		LOA		ft	Beam		ft
Boat Type		Hull ID					
Type of Use	Pleasure <input type="checkbox"/>	Commercial <input type="checkbox"/>	Planing <input type="checkbox"/>	Semi Disp. <input type="checkbox"/>	Displacement <input type="checkbox"/>		

Dealer's Instructions: Dealers must complete this card to register the warranty. Please return the copy to your national Importer/Distributor immediately. Unregistered engines are subject to warranty rejection.

REMARKS

SIGNATURE : _____

NEW THINKING. NEW POSSIBILITIES.



HYUNDAI SEASALL